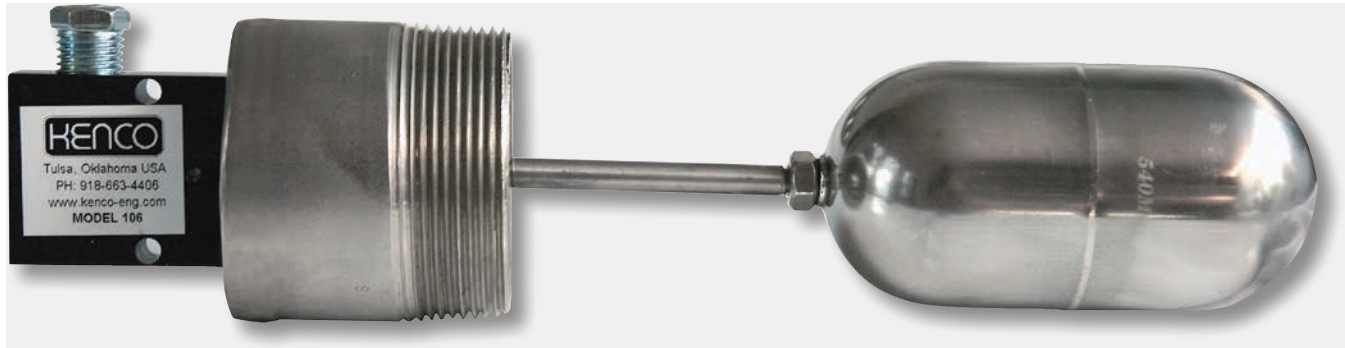




## PNEUMATIC FLOAT SWITCH (WATER MAKE-UP VALVE)



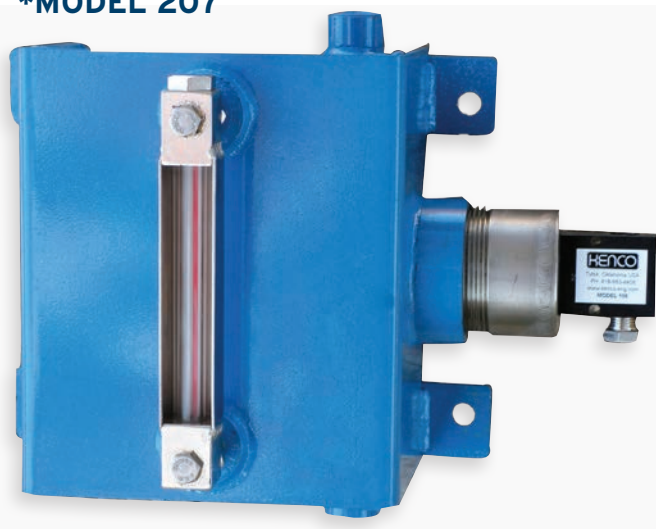
### MODEL 106

- Pneumatic dump valve controller for low pressure scrubbers
- Low liquid level switch for cooling water expansion tanks
- Automatic water make-up for cooling water expansion tanks
- Low or high level switch for monitoring levels in tanks

### SPECIFICATIONS

- Maximum Operating Pressure: 100 psi.
- Temperature Limits: -15 to 250°F
- Float Operating Specific Gravity: 1.00 or greater (Consult factory for applications with a lower specific gravity.)
- Valve Type: 3-Way, 2-Position (Valve is snap-acting with no "neutral" position and no varying lag time between positions.)
- Valve Connections: 1/4" Female NPT
- Switch Mounting: 2" Male NPT

### \*MODEL 207



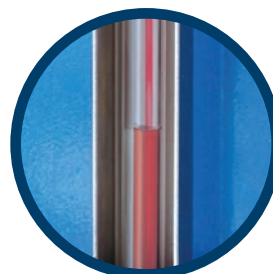
\*Model 106 Pneumatic Float Switch can be replaced with a Kenco Model KEFS Switch or KPFS Switch upon request.

### SWITCH VALVE FLOW RATES

GAS OPERATING RANGE		LIQUID OPERATING RANGE	
Pressure (PSIG)	Flow Rate (SCFH)	Pressure (PSIG)	Flow Rate (GPM)
1	23.6	1	0.09
2	33.1	2	0.12
3	40.6	3	0.15
4	46.7	4	0.18
5	52.0	5	0.20
6	57.1	6	0.22
7	61.3	7	0.23
8	65.2	8	0.25
9	69.1	9	0.26
10	75.0	10	0.28
20	110.0	20	0.39
30	143.0	30	0.48
40	170.0	40	0.56
50	197.0	50	0.62
60	235.0	60	0.68
70	270.0	70	0.74
80	305.0	80	0.79
90	337.2	90	0.83
100	369.4	100	0.88

Note: The above gas flow rates in standard cubic feet per hour are for air. To find the flow rate of other gases, divide the flow rate by the square root of the gas specific gravity.

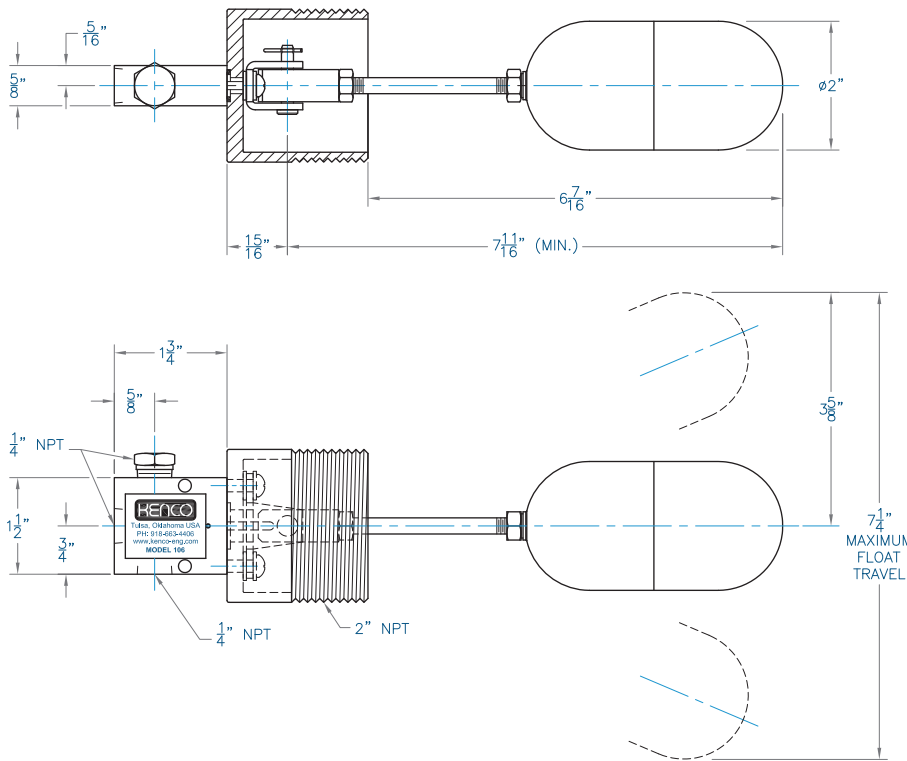
Note: The above liquid flow rates in gallons per minute are for water. To find the flow rate of other liquids, divide the flow rate by the square root of the liquid specific gravity.



Red-Line glass for easy viewing

The Model 207 utilizes a Model 106 installed in a carbon steel tank. The tank features a sight glass for observation of the liquid level in the tank. For dimensional detail, see reverse side of this bulletin. The switch is designed to function as either a pneumatic high or low switch or as an automatic water make-up valve.

**MODEL 106  
MODEL 106-V  
MODEL 106-SS**



**Wetted Materials (106)**

- 18-8 / 302 / 303 / 304 / 416 Stainless Steel
- Buna-N
- Aluminum

**Wetted Materials (106-V)**

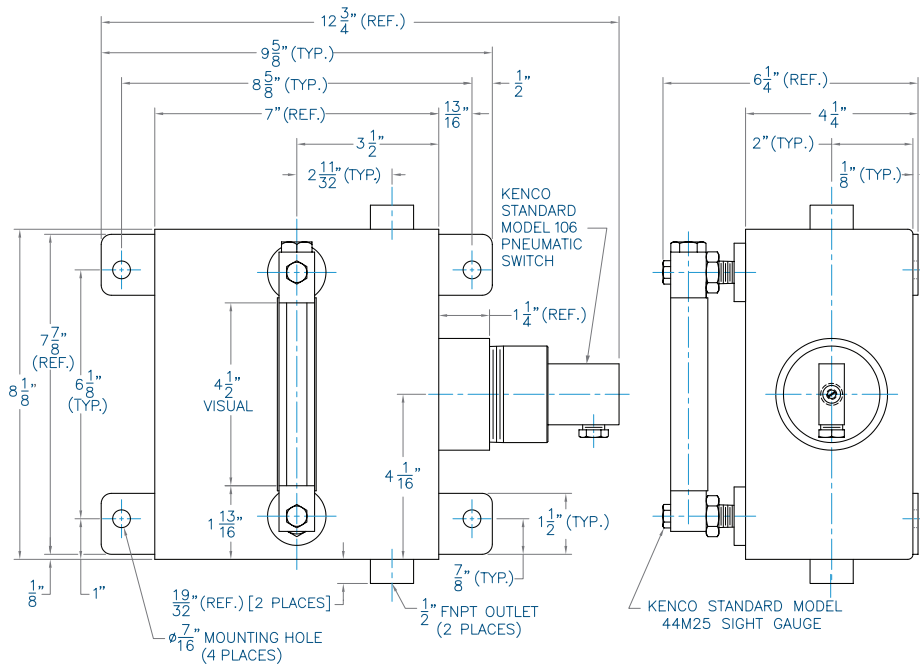
- 18-8 / 302 / 303 / 304 / 416 Stainless Steel
- Fluorocarbon
- Aluminum

**Wetted Materials (106-SS)**

- 18-8 / 302 / 303 / 304 / 316 Stainless Steel
- Fluorocarbon

\* THIS DIMENSION WILL BE BELOW CENTER LINE IF SWITCH OR ENTIRE ASSEMBLY IS ROTATED 180°. TRIP DIMENSIONS ARE BASED ON TESTS WITH WATER. TRIP POINTS MAY VARY WITH LIQUIDS OTHER THAN WATER.

**MODEL 207**



**Wetted Materials (207)  
SWITCH**

- 18-8 / 302 / 303 / 304 / 416 Stainless Steel
- Buna-N
- Aluminum

**TANK**

- Carbon Steel
- SIGHT GAUGE**
- Glass
- Buna-N
- Nickel Plated Brass
- 316 Stainless Steel

DIMENSIONS ARE FOR REFERENCE PURPOSES ONLY AND ARE SUBJECT TO CHANGE AT ANY TIME WITHOUT NOTICE.

Represented by:

Kenco Sales Offices:

**Headquarters**

10001 E. 54th St.  
Tulsa, OK 74146  
phone 918.663.4406  
fax 918.663.4480  
www.kenco-eng.com  
email: info@kenco-eng.com

**Baton Rouge Office**

11616 Industriplex, Suite 7  
Baton Rouge, LA 70809  
phone 225.755.1912  
fax 225.755.1913  
www.kenco-eng.com  
email: kenco-la@kenco-eng.com

79719 (02-02-21)

