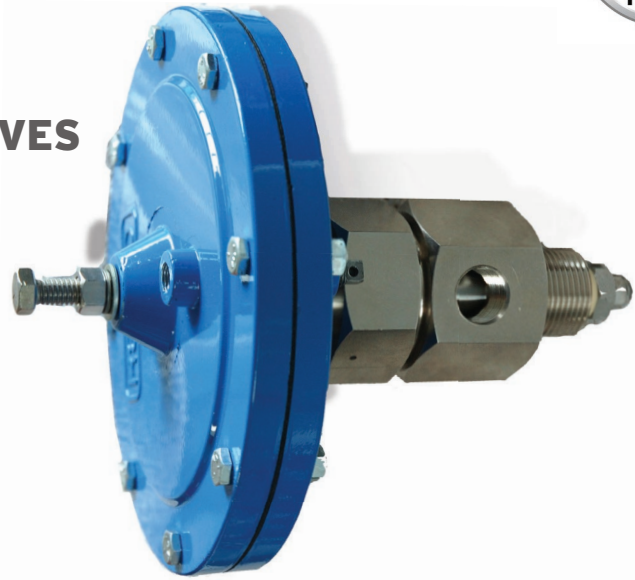




KENCO KDV SERIES DUMP VALVES

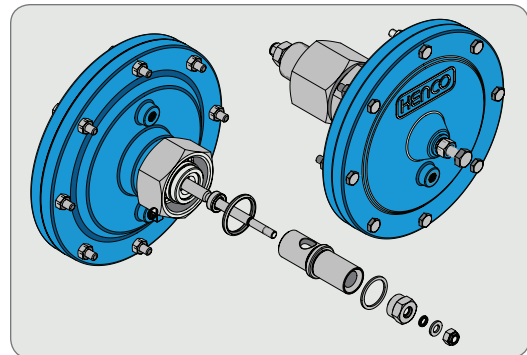
The Kenco KDV series Dump Valve is a pneumatically controlled valve designed for fluid level control in gas scrubbers, separators and other process pressure vessels.

Model KDV Dump Valves are available with either 1" or 2" process connections. The drain sizes available are 1/2", 3/4" and 1" depending on the model selected. The valve actuation pressure range is 30-70 psi depending on the model and process pressure. Process pressure ratings of up to 2000 psi are available.

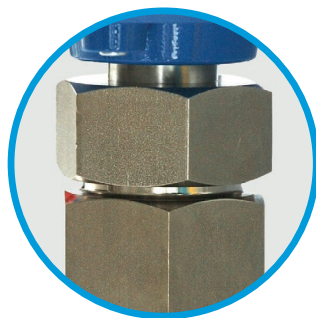


SPECIFICATIONS

- Operating Temperature: -30 to 250°F (34.4 to 121°C)
- Operating Process Pressure: Up to 2000 psi, depending on model
- Valve Actuation Pressure: 30 to 70 psi depending on process pressure
- Body Material: Nickel Plated 12L14 Carbon Steel
- Wetted Materials: Nickel Plated 12L14 Carbon Steel, 303 Stainless Steel, Buna-N, Polyurethane



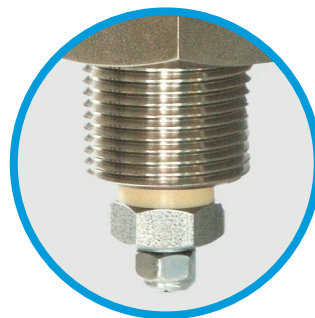
DUMP VALVE FEATURES



Union Nut

Ease of Maintenance - The union nut allows the valve to be removed for service without removing the Valve Body from the pressure vessel.

Pressure Warning Port - If an attempt is made to remove the valve assembly from the body while the valve is under pressure, process fluid and/or gas will leak from the weep hole to provide a warning.



Polyurethane Trim Seal

High Performance Polyurethane Trim Seal - The high performance polyurethane material used on the Trim Seal is highly durable and long lasting.

Simple Installation - Valve is easily installed with simple hand tools in a short amount of time.

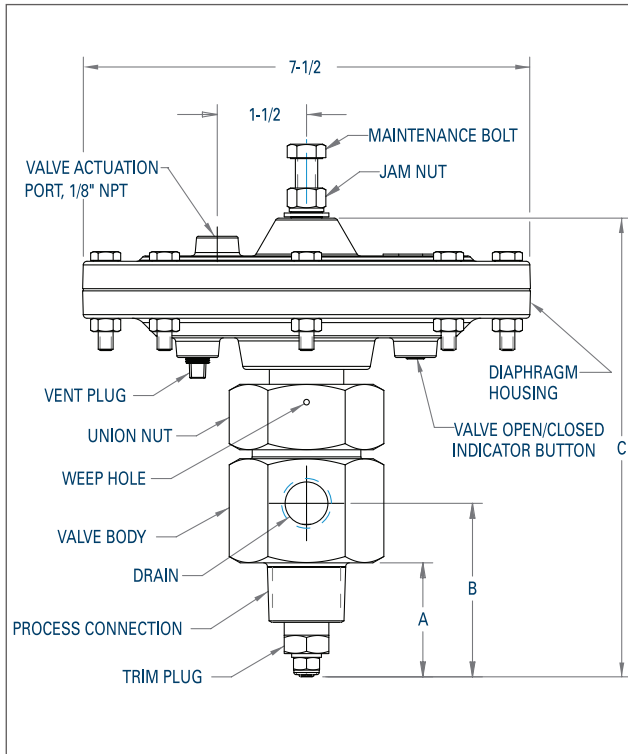
Variety of Trim Sizes - Several trim sizes available to accommodate different flow and pressure requirements.



Powder Coated Finish

Powder Coated Finish - The aluminum diaphragm housing is powder coated to provide a durable and resilient finish.

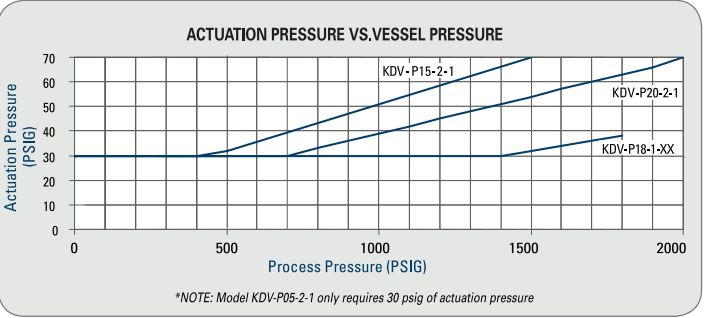
"Keyed" Housing to Valve Joint - Valve is keyed to diaphragm housing to ensure internal retaining hardware does not twist or vibrate loose.



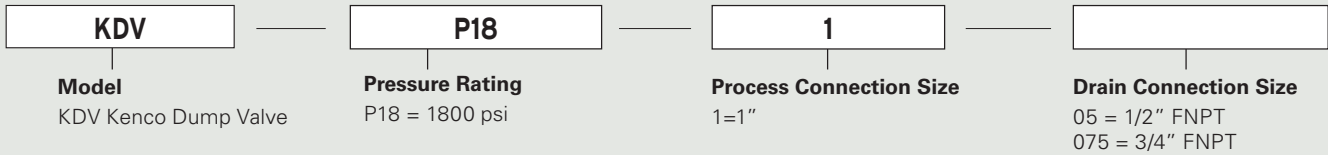
DIMENSIONS AND SPECIFICATIONS

VALVE MODEL	PROCESS CONNECTION SIZE	DRAIN SIZE	MAXIMUM PROCESS PRESSURE	TRIM SIZE	DIMENSION "A"	DIMENSION "B"	DIMENSION "C"
KDV-P18-1-05	1-11.5 NPT	1/2-14 NPT	1800 PSI	0.461"	1.88"	2.88"	7.69"
KDV-P18-1-075	1-11.5 NPT	3/4-14 NPT	1800 PSI	0.461"	1.88"	2.88"	7.69"
KDV-P05-2-1	2-11.5 NPT	1-11.5 NPT	500 PSI	0.865"	1.92"	3.54"	8.76"
KDV-P15-2-1	2-11.5 NPT	1-11.5 NPT	1500 PSI	0.589"	2.02"	3.64"	8.86"
KDV-P20-2-1	2-11.5 NPT	1-11.5 NPT	2000 PSI	0.446"	2.02"	3.64"	8.86"

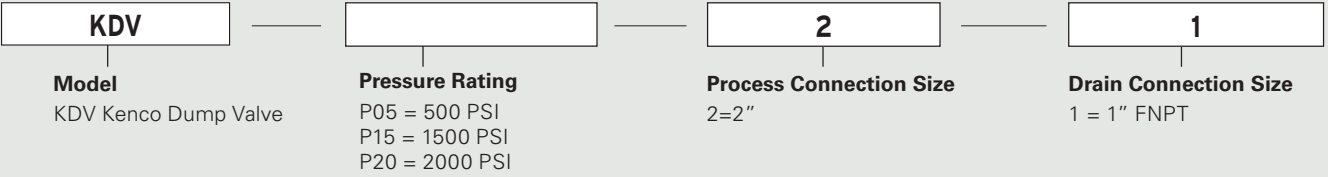
NOTE: All dimensions are in inches



ORDERING SYSTEM
Kenco Dump Valve with 1" Process Connections



Kenco Dump Valve with 2" Process Connections



• Example Order Number: KDV-P18-1-05

Represented by:

Kenco Sales Offices:

Headquarters

10001 E. 54th St.
 Tulsa, OK 74146
 phone 918.663.4406
 fax 918.663.4480
 www.kenco-eng.com
 email: info@kenco-eng.com

Baton Rouge Office

11616 Industriplex, Suite 7
 Baton Rouge, LA 70809
 phone 225.755.1912
 fax 225.755.1913
 www.kenco-eng.com
 email: kenco-la@kenco-eng.com

82722 5-20-19

