

**Recognized as a  
world-class leader in  
level control switches,  
flow indicators,  
chemical metering pumps,  
chemical injection systems  
and  
allied products.**

**LINC**  
LEVEL & FLOW  
SWITCHES

# LEVEL CONTROL SWITCHES

O R D E R I N G

## To Order, Call 800.455.LINC.

Or FAX your order anytime to  
936.788.5720.

**For the Nearest Authorized  
Representative,  
Call 800.455.LINC.**

## Technical Support.

Toll free, 7 days a week, 24 hours  
a day, 800.455.LINC.

## Convenient Hours.

Our phone lines are open Mon-  
day-Friday 8:00 AM-5:00 PM  
(CST).

## LINC Warranty.

One year limited warranty on all  
our products against defects in  
materials.

## LINC Technical Support.

Technical service and support  
begins with an easy toll-free call.  
Many times, our experienced cus-  
tomer service reps can isolate and  
resolve problems over the phone or  
provide a referral to our authorized  
representatives nationwide. We  
also offer factory repair facilities in  
Snyder, Texas.

## Purchase Orders.

All mail-in purchase orders must  
be signed by an authorized person.  
When ordering please list:

- Quantity
- Description of Items
- Shipping Address
- Billing Address
- Purchase Order Number

## RFQ's.

Please send RFQ's to:  
YZ Systems, Inc.  
Attn.: Customer Service  
3101 Pollok Drive  
Conroe, Texas 77303  
or by Fax: 936.788.5720

## Freight Charges.

All shipments are F.O.B., factory.  
Shipping and handling are included  
on the invoice (prepay and add).

## Special Pricing.

Call about our corporate pur-  
chase pricing and for quantity dis-  
counts.

## Terms.

With credit approval, net 30 days.

YZ Systems, Inc. represents and warrants that for a period of 1 year from receipt of the product: (1) the product will be free from defects in materials and workmanship; and (2) the product will perform substantially in accordance with product manuals, literature, or documentation. Any written or oral information or advice given by YZ representatives, agents, or employees will in no way increase the scope of this warranty. If the product fails to comply with the warranty set forth herein, YZ's entire liability and the customer's exclusive remedy will be replacement of the product(s) or, at YZ's option, YZ's reasonable effort to make the product meet the warranty set forth herein. **YZ disclaims all other warranties, either expressed or implied, including but not limited to, implied warranties or merchantability and fitness for a particular purpose, with respect to the product.** This limited warranty gives you specific legal rights. You may have others, which vary from state to state. **These remedies are not available outside of the United States and Canada.** In no event shall YZ or its suppliers be liable for any damages whatsoever (including, without limitation, damages for loss of profits, business interruption, loss of information, or other pecuniary loss) arising out of the use of or inability to use the product, even if YZ has been advised of the possibility of such damages. Information contained in this document is subject to change without notice and does not represent a commitment on the part of YZ Systems, Inc. All prices quoted are in U.S. dollars, F.O.B. Snyder, Texas. LINC, LINC Chemical Pumps, and LINC Level & Flow Switches are trademarks of YZ Systems, Inc. All other product names and/or registered trademarks are the property of their respective holders. YZ support services are subject to YZ's then-current prices, terms, and conditions, which are subject to change without notice. All prices and specifications, if published, are subject to change without notice.

# LEVEL CONTROL SWITCHES

I N D E X

<b>PRODUCT SERIES</b>	<b>PRODUCT DESCRIPTION</b>	<b>PAGES</b>	
• L471 & L471SC Series	Electric level control switches, standard and extended body .....	4 - 21	
	High Temperature Switch Options .....	9	
	Relay Assemblies .....	11	
	Manual Override .....	12	
	Manual Override, Extended Body .....	18	
	Standard and Optional Configurations .....	20	
• LV471 & L971 Series	Electric level control switches, vertical and extended body .....	22 - 25	
	• 282 & 282SC Series	Pneumatic level control switches, snap acting, non-bleed .....	26 - 37
		Manual Override .....	35
	Standard and Optional Configurations .....	36	
• PT265/265SC, PT966 Series	Pneumatic level control switches, throttling .....	38 - 45	
• 102 Series	Pneumatic level control switches, non-bleed .....	46 - 51	
• 700 & 35 Series	External cage and sight glasses .....	52 - 53	
• NF265 & NF282 Series	Electric and pneumatic flow indicators .....	54 - 57	
• FV3064 Series	Electric flow indicator, low volume .....	58 - 60	



# LEVEL CONTROL SWITCHES

LINC - L471 & L471SC SERIES

## The LINC-L471 & L471SC Series: Electric Level Control Switches



### Application:

Used as a high & low level control, the L471 & L471SC can activate alarms, provide a switch input for control systems, or perform a variety of desired electrical switch operations actuated by a liquid or liquid interface.

### Operation:

As the float is moved by varying liquid height, a magnet is moved closer to or further away from a switch enclosure. As the magnet moves closer, a reed switch in the enclosure closes. As the magnet moves further away, the switch opens. The arm containing the magnet also acts as a counterweight for the float.

The float is small and will operate in liquids with a specific gravity as low as 0.4. The interface type will operate with a specific gravity differential as low as 0.1. This small float permits an economical installation in locations where other controls would be cost prohibitive. Available with a relay mounted in an explosion-proof case allowing the control of larger electrical loads. The manual override option allows the operator to manually move the float arm to the test switch position.

### Benefits:

- Easy to Repair.....
- Easy to Field Test.....
- No Leaks.....
- Lower Operating Costs.....
- Lower Inventory.....
- Versatile.....
- Safe.....
- Corrosion Resistant.....
- Optional Corrosion Resistant Materials.....
- Reliable.....
- High & Low Pressure Applications.....

### Features:

- Repairs on-site in 20 minutes with the Quick-Change switch cartridge
- The Manual Override option enables mechanical and electrical function testing while installed
- Environmentally-isolated design keeps operational fluids away from electrical circuitry
- Quick-Change, inexpensive replacement parts
- One L471 inverts for both High & Low level applications
- One L471 provides both normally open, and normally closed switching by simply inverting the L471
- Certified as explosion-proof<sup>1</sup> for Hazardous Locations: Class I, Div. 1, Groups A, B, C, D; Class II, Div. 1, Groups E, F, G; and Class III, Div.1, by CSA a Nationally recognized Testing Laboratory in the U.S. and Canada
- Standard 316 Stainless Steel wetted and housing components for corrosion resistance
- Monel, Kynar, Teflon, Teflon Coated, Hastelloy C, PVC, Polypropylene, and Alloy 20
- Sealed switch cartridge prevents dust, fluids, and corrosion from interfering with electrical circuitry
- Available with Stainless Steel and Polypropylene displacer options for various process pressures

<sup>1</sup> When a relay assembly is used, Class I, Div. 1, is limited to Groups C and D.

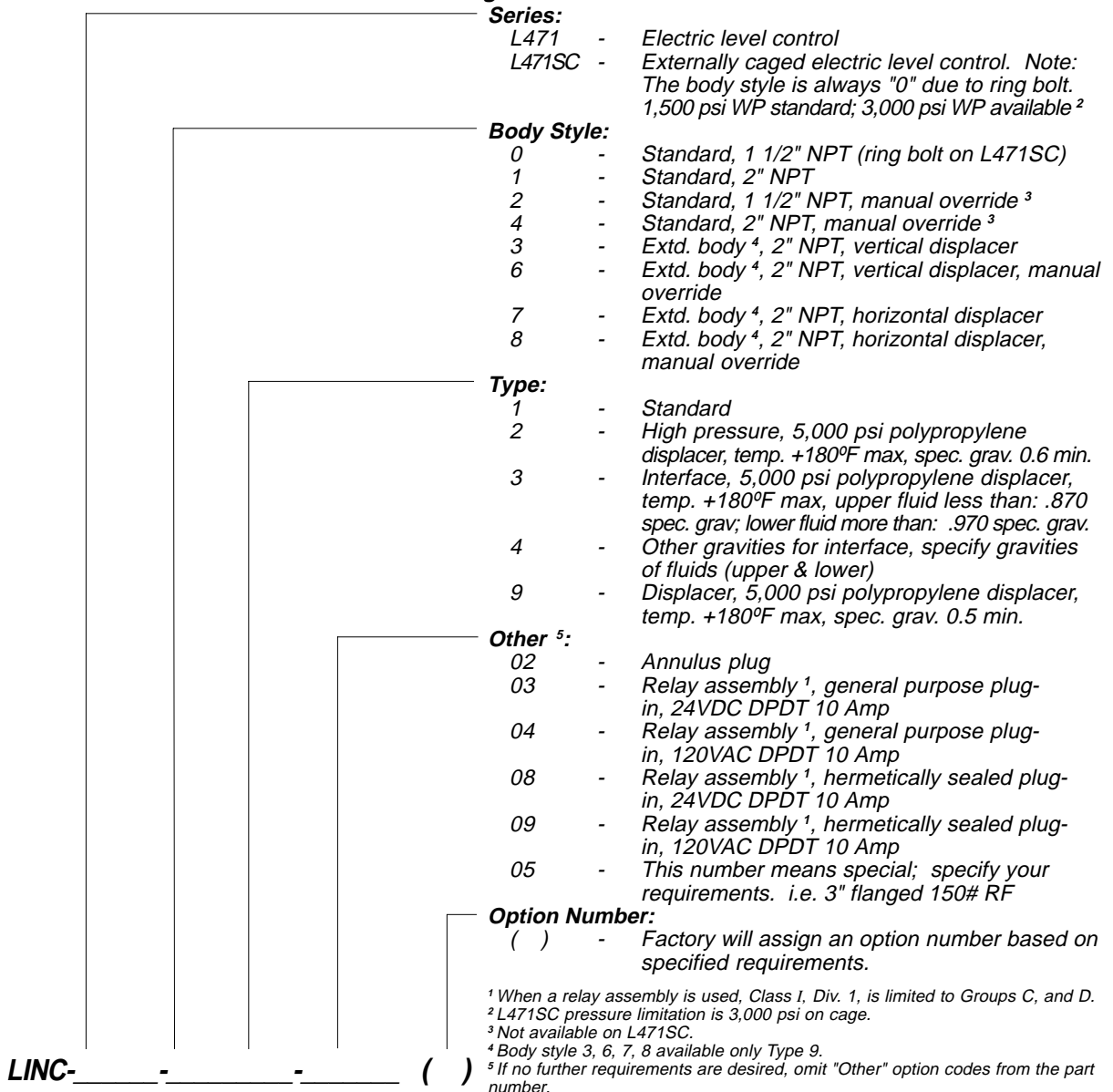
# LEVEL CONTROL SWITCHES

## LINC - L471 & L471SC SERIES

### Specifications: L471 & L471SC Series Electric Level Control Switches

<b>Pressure:</b>	1,500 psi standard, available to 5,000 psi, (1,500 psi maximum with the Manual Override option)
<b>Temperature:</b>	-40°F to + 400°F standard, with 500°F optional
<b>Specific Gravity:</b>	0.4 minimum standard; interface 0.1 differential minimum
<b>Materials:</b>	316 stainless steel wetted parts are standard. Available in other austenitic metals and plastics
<b>Switch Rating:</b>	SPST (SPDT optional) 100 V.A. AC, 100W DC, 3 amp inrush capability, maximum of 250 Volts, Hermetically sealed
<b>Connections:</b>	
Electrical:	1/2" conduit standard, with other sizes optional
Process:	1 1/2" NPT standard, available in 2" NPT, 3" flanged or larger, and externally caged
<b>CSA Certification:</b>	Listed as explosion-proof for Class I, Div. 1, Groups A, B, C, D; Class II, Div. 1, Groups E, F, G; and Class III, Div. 1

### Ordering Chart:



<sup>1</sup> When a relay assembly is used, Class I, Div. 1, is limited to Groups C, and D.  
<sup>2</sup> L471SC pressure limitation is 3,000 psi on cage.  
<sup>3</sup> Not available on L471SC.  
<sup>4</sup> Body style 3, 6, 7, 8 available only Type 9.  
<sup>5</sup> If no further requirements are desired, omit "Other" option codes from the part number.

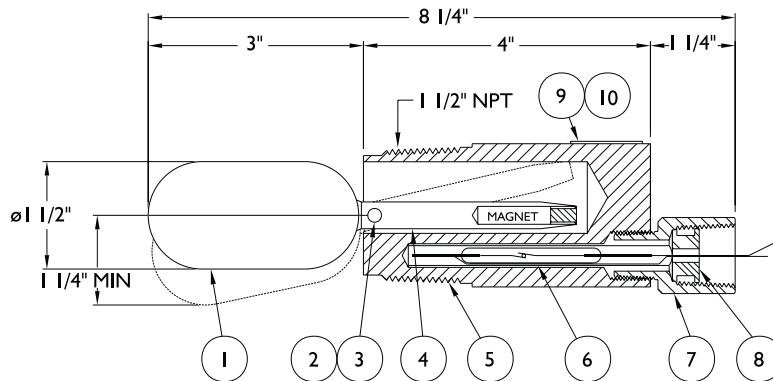
**Example: LINC-L471-21-05 electric level control**  
 Specify: 3" - 150# RF, CS flange, 120 VAC relay



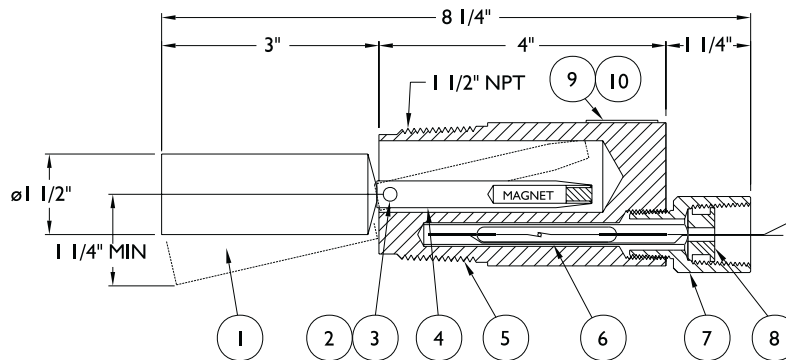
# LEVEL CONTROL SWITCHES

## LINC - L471 & L471SC SERIES

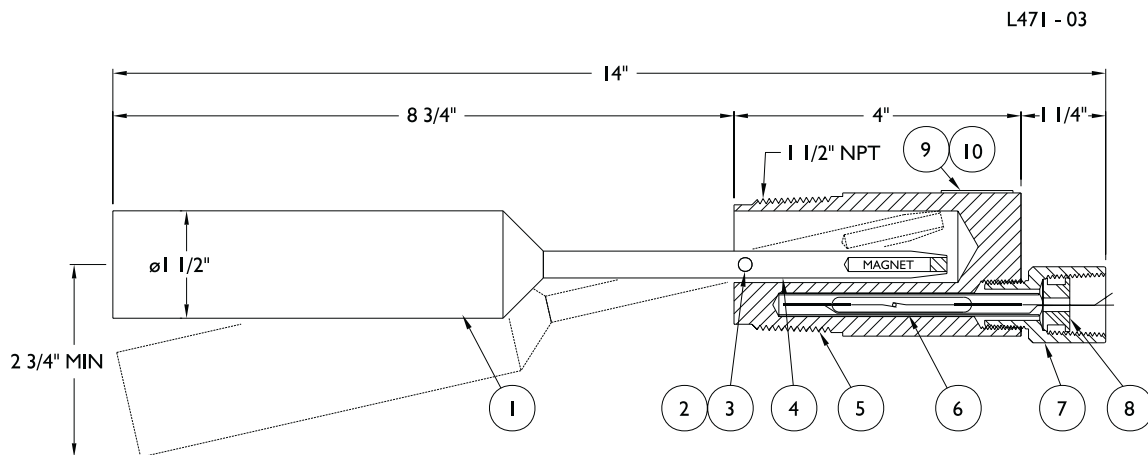
The LINC-L471 Series:  
Standard Units, Diagram



L471 - 01



L471 - 02

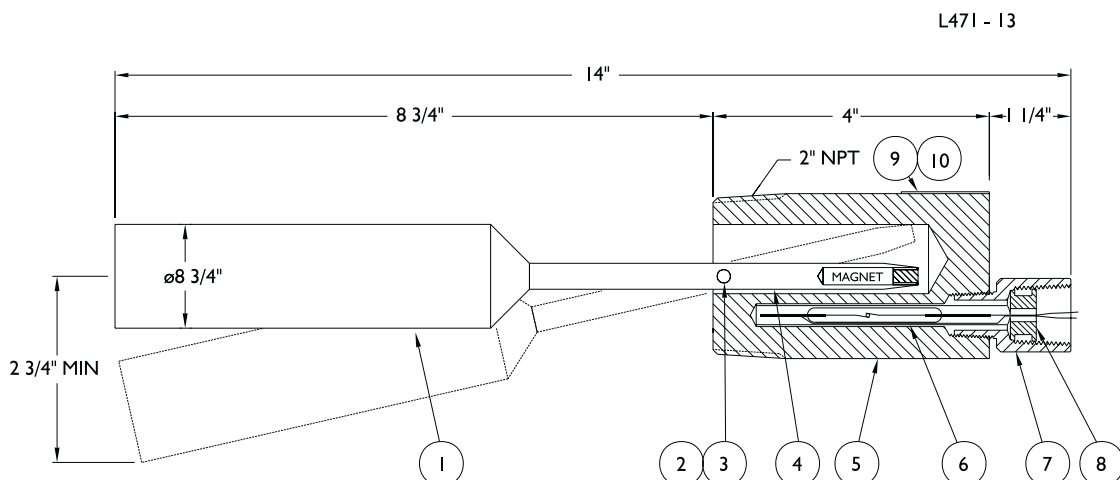
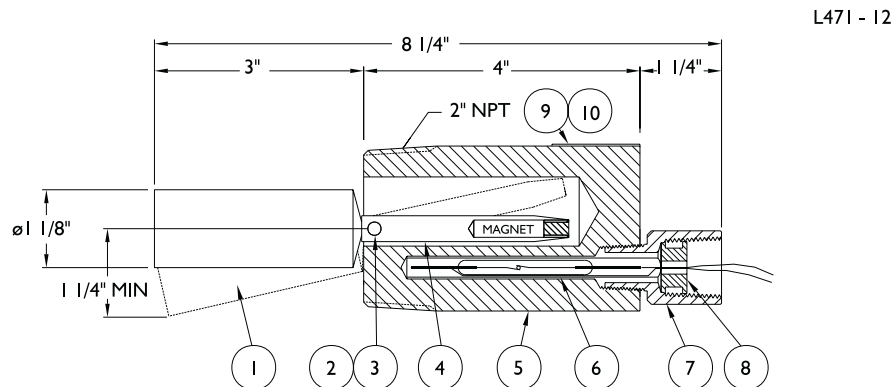
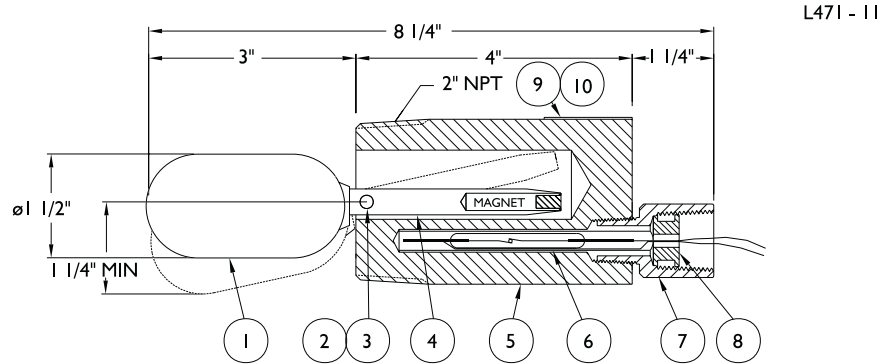


L471 - 03

# LEVEL CONTROL SWITCHES

## LINC - L471 & L471SC SERIES

The LINC-L471 Series:  
Standard Units, Diagram



# LEVEL CONTROL SWITCHES

## LINC - L471 & L471SC SERIES

### The LINC-L471 Series: Standard Units, Parts List

Model Item	L471-01 Part #	L471-02 Part #	L471-03 Part #	Description	Material	Qty
1	10245			Float	316 ss	1
		20149	20136	Float	Polypropylene	1
2	20120	20120	20120	Pin	316 ss	1
3	20121	20121	20121	Spacer	316 ss	1
4	20853	20853	21671	Float/Magnet Arm	316 ss	1
5	30313	30313	30313	Body	316 ss	1
6	See Chart On Page 9			Switch Cartridge	Sealed	1
7	20119	20119	20119	Conduit Adapter	303 ss	1
8	10087	10087	10087	Grommet	Nitrile	1
9	12971	10012	10012	Nameplate	316 ss	1
	10324	10324	10324	Drive Screw (not shown)	18-8 ss	2

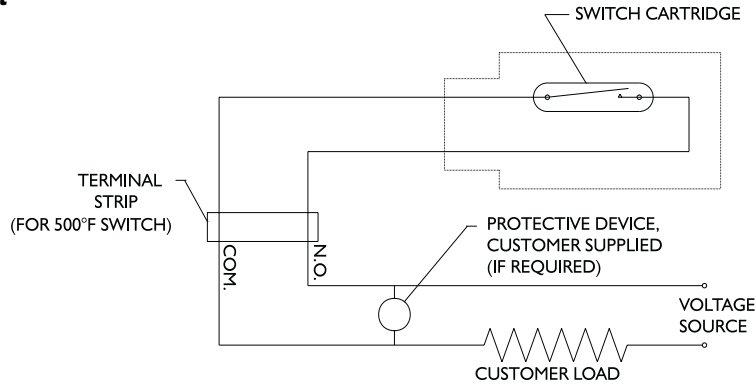
Model Item	L471-11 Part #	L471-12 Part #	L471-13 Part #	Description	Material	Qty
1	10245			Float	316 ss	1
		20149	20136	Float	Polypropylene	1
2	20334	20334	20334	Pin	316 ss	1
3	20121	20121	20121	Spacer	316 ss	1
4	20853	20853	21671	Float/Magnet Arm	316 ss	1
5	31071	31071	31071	Body	316 ss	1
6	See Chart On Page 9			Switch Cartridge	Sealed	1
7	20119	20119	20119	Conduit Adapter	303 ss	1
8	10087	10087	10087	Grommet	Nitrile	1
9	10012	10012	10012	Nameplate	316 ss	1
10	10324	10324	10324	Drive Screw (not shown)	18-8 ss	2



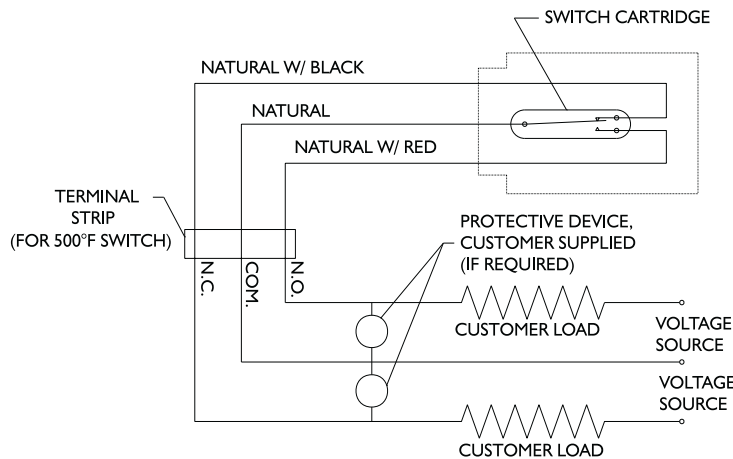
# LEVEL CONTROL SWITCHES

## LINC - L471 & L471SC SERIES

The LINC-L471 Series:  
High Temperature Switch Cartridges,  
Diagram & Parts List



TYPICAL ELECTRICAL SCHEMATIC  
FOR 400°F & 500°F SPST SWITCH



TYPICAL ELECTRICAL SCHEMATIC  
FOR 400°F & 500°F SPDT SWITCH

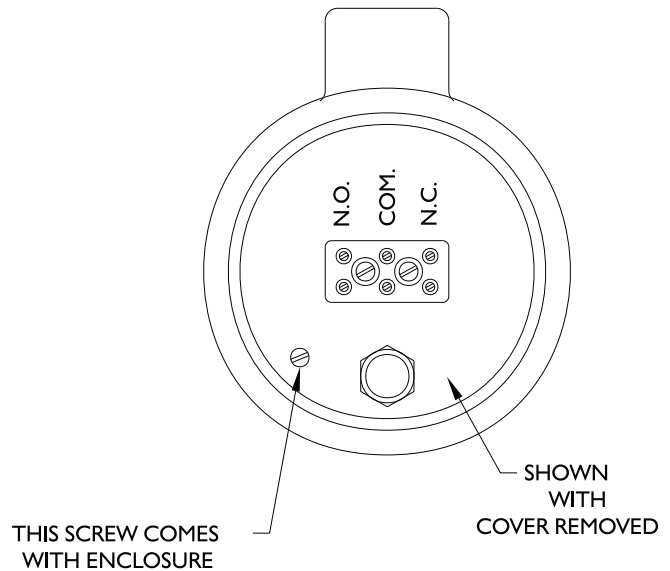
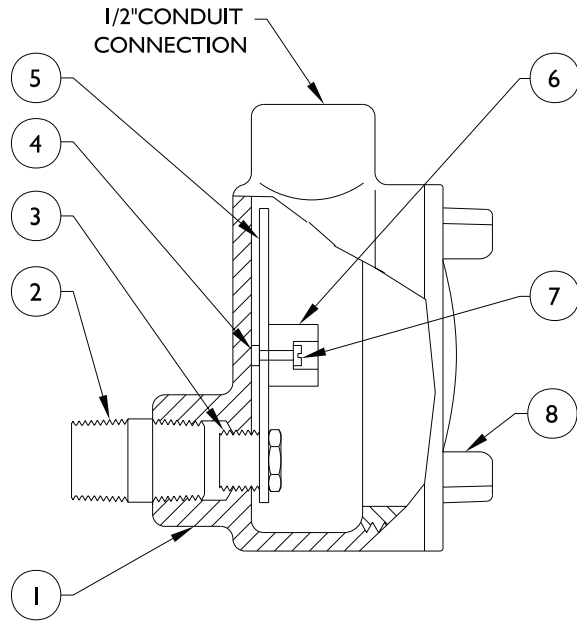
### Electric Switch Cartridges

Part #	Description	Availability
20495	Switch Cartridge, SPST, 400°F rating	Standard
24834	Switch Cartridge, SPST, 500°F rating	Optional
24835	Switch Cartridge, SPDT, 500°F rating	Optional
24836	Switch Cartridge, SPDT, 400°F rating	Optional

# LEVEL CONTROL SWITCHES

## LINC - L471 & L471SC SERIES

The LINC-L471 Series:  
High Temperature Switch Cartridges,  
Diagram & Parts List

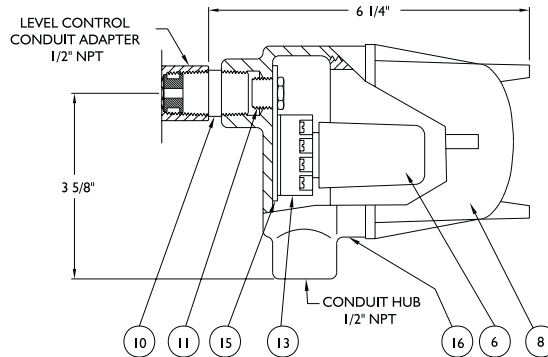


Assembly Item	24898 Part #	Enclosure Assembly Description	Qty
1	21707	Enclosure	1
2	10236	Nipple	1
3	10376	Bushing	1
4	13179	Nut	2
5	24987	Mounting Plate	1
6	13178	Ceramic Terminal Strip	1
7	13178	Screw	2
8	10739	Flat Cover	1

# LEVEL CONTROL SWITCHES

## LINC - L471 & L471SC SERIES

The LINC-L471 Series:  
Relay Assembly,  
Diagram & Parts List



Model	-03	-04	-08	-09		
Voltage	24 VDC	120 VAC	24 VDC	120 VAC		
Type	G.P.	G.P.	Sealed	Sealed		
Assembly	21591	21593	24385	24664		
Item	Part #	Part #	Part #	Part #	Description	Qty
1	10425	10239	10425	10239	Protective Device (not shown)	1
2	10420	10420	10420	10400	Insulating Tubing (not shown)	1
3	10423	10423	10423	10423	Wire Lug (not shown)	1
4	10623	10623	10623	10623	Female Terminal (not shown)	1
5	10925	10925	10925	10925	Male Terminal (not shown)	1
6	10727	10688	10086	10262	Relay	1
7	22062	22062	22062	22062	Enclosure Assembly	1

Model	-05	-05	-05	-05	-05		
Voltage	240 VAC	6 VDC	12 VDC	46 VDC	110 VDC		
Type	G.P.	G.P.	G.P.	G.P.	G.P.		
Assembly	21594	21589	21590	21592	20286		
Item	Part #	Part #	Part #	Part #	Part #	Description	Qty
1	10426	10425	10425	10425	10425	Protective Device (not shown)	1
2	10420	10420	10420	10420	10420	Insulating Tubing (not shown)	1
3	10423	10423	10423	10423	10423	Wire Lug (not shown)	1
4	10623	10623	10623	10623	10623	Female Terminal (not shown)	1
5	10925	10925	10925	10925	10925	Male Terminal (not shown)	1
6	10729	10725	10726	10728	10587	Relay	1
7	22062	22062	22062	22062	22062	Enclosure Assembly	1

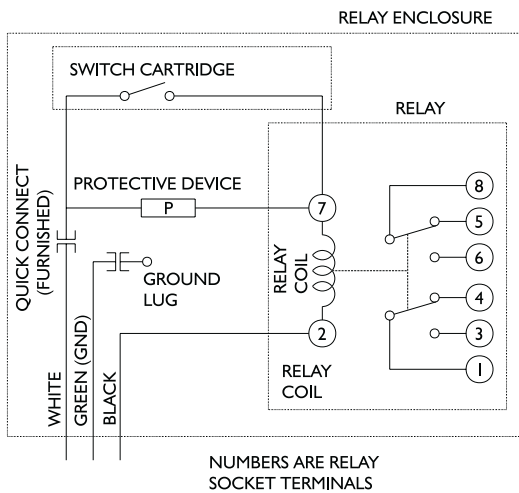
Assembly	22062	Enclosure Assembly	
Item	Part #	Description	Qty
8	10036	Cover	1
9	10189	6-32 x 3/16" Screw (not shown)	1
10	10236	Nipple	1
11	10376	Bushing	1
12	10436	6-32 x 5/8" Screw (not shown)	1
13	10472	Octal Socket	1
14	12001	Ring Terminal (not shown)	1
15	20948	Mounting Plate	1
16	21707	Enclosure	1

# LEVEL CONTROL SWITCHES

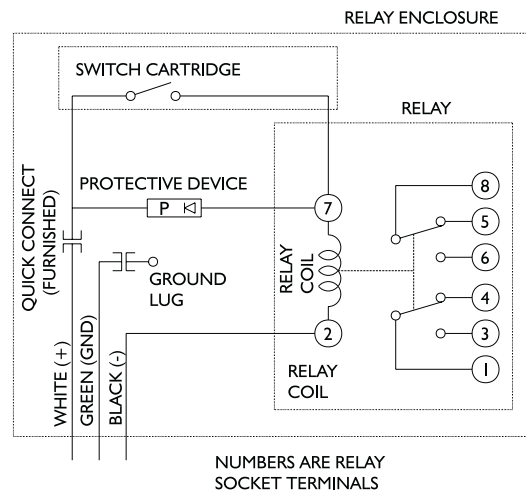
## LINC - L471 & L471SC SERIES

### The LINC-L471 Series: Relay Wiring Diagram & Manual Override Diagram

WIRING SCHEMATIC  
FOR AC VOLTAGE, DPDT  
PLUG-IN RELAY

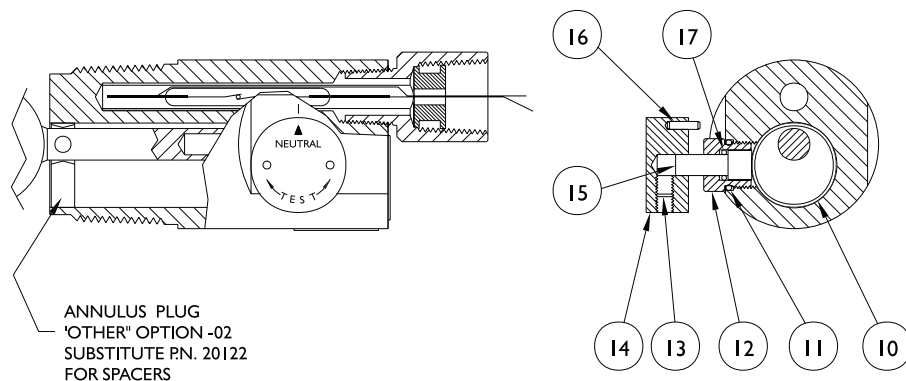


WIRING SCHEMATIC  
FOR DC VOLTAGE, DPDT  
PLUG-IN RELAY



### STANDARD MANUAL OVERRIDE BODY STYLE -2, -4

PARTS SHOWN ARE FOR MANUAL OVERRIDE.  
OTHER PARTS ARE SAME AS STANDARD UNITS.



# LEVEL CONTROL SWITCHES

## LINC - L471 & L471SC SERIES

### The LINC-L471 Series: Standard Units, Parts List

Model Item	L471-21 Part #	L471-22 Part #	L471-23 Part #	Description	Material	Qty
1	10245			Float	316 ss	1
		20149	20136	Float	Polypropylene	1
2	20120	20120	20120	Pin	316 ss	1
3	20121	20121	20121	Spacer	316 ss	2
4	24883	24883	21671	Float/Magnet Arm	316 ss	1
5	30715	30715	30715	Body	316 ss	1
6	See Chart On Page 9			Switch Cartridge	Sealed	1
7	20119	20119	20119	Conduit Adapter	303 ss	1
8	10087	10087	10087	Grommet	Nitrile	1
9	10012	10012	10012	Nameplate	316 ss	1
10	24885	24885	24885	Ring Weldment	316 ss	1
11	10996	10996	10996	O-Ring	Fluorocarbon	1
12	22271	22271	22271	Packing Gland	316 ss	1
13	10621	10621	10621	Set Screw	18-8 ss	1
14	22577	22577	22577	Knob	303 ss	1
15	24875	24875	24875	Stem	316 ss	1
16	11192	11192	11192	Roll Pin	15-7 PH ss	3
17	10108	10108	10108	O-Ring	Fluorocarbon	1
	11193	11193	11193	Nameplate (not shown)	302 ss	1
	10324	10324	10324	Drive Screw (not shown)	18-8 ss	4

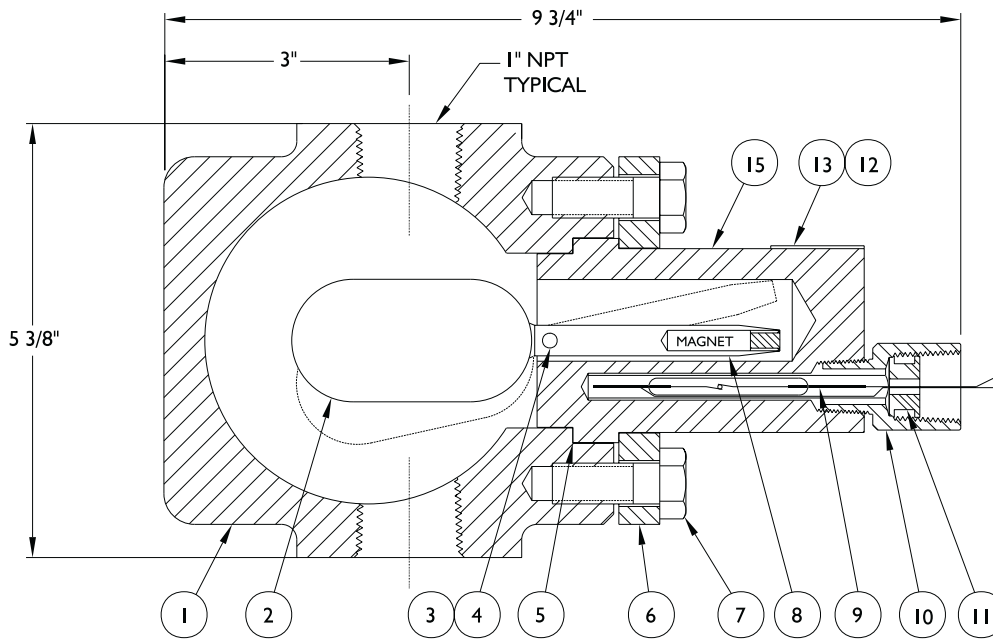
Model Item	L471-41 Part #	L471-42 Part #	L471-43 Part #	Description	Material	Qty
1	10245			Float	316 ss	1
		20149	20136	Float	Polypropylene	1
2	20334	20334	20334	Pin	316 ss	1
3	20121	20121	20121	Spacer	316 ss	1
4	24883	24883	21671	Float/Magnet Arm	316 ss	1
5	31152	31152	31152	Body	316 ss	1
6	See Chart On Page 9			Switch Cartridge	Sealed	1
7	20119	20119	20119	Conduit Adapter	303 ss	1
8	10087	10087	10087	Grommet	Nitrile	1
9	10012	10012	10012	Nameplate	316 ss	1
10	24885	24885	24885	Ring Weldment	316 ss	1
11	10996	10996	10996	O-Ring	Fluorocarbon	1
12	22271	22271	22271	Packing Gland	316 ss	1
13	10621	10621	10621	Set Screw	18-8 ss	1
14	22577	22577	22577	Knob	303 ss	1
15	24875	24875	24875	Stem	316 ss	1
16	11192	11192	11192	Roll Pin	15-7 PH ss	3
17	10108	10108	10108	O-Ring	Fluorocarbon	1
	11193	11193	11193	Nameplate (not shown)	302 ss	1
	10324	10324	10324	Drive Screw (not shown)	18-8 ss	4

# LEVEL CONTROL SWITCHES

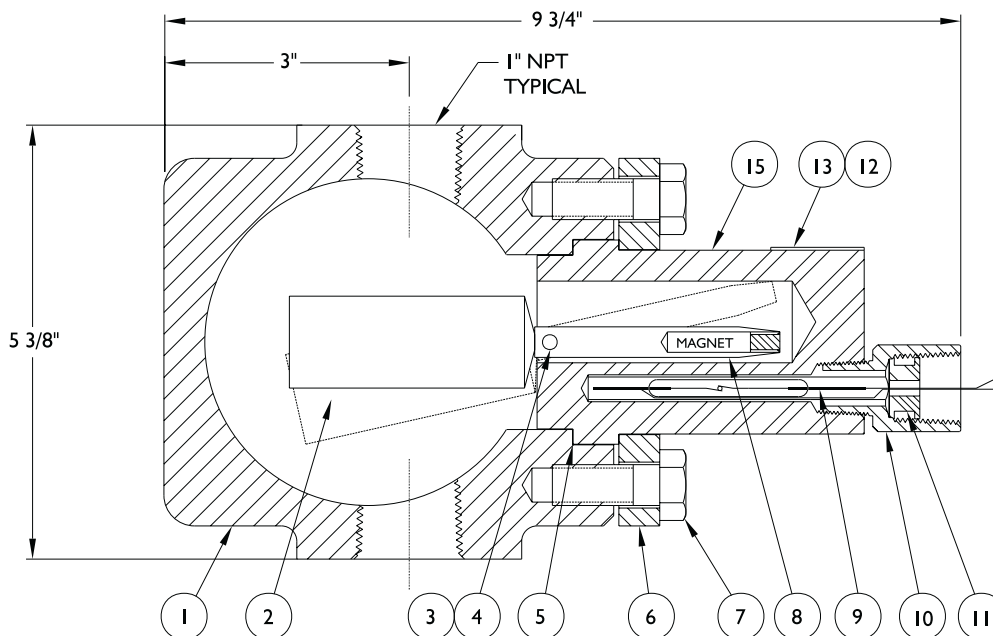
LINC - L471 & L471SC SERIES

The LINC-L471SC Series:  
Standard Caged Units

L471SC-01



L471SC-02

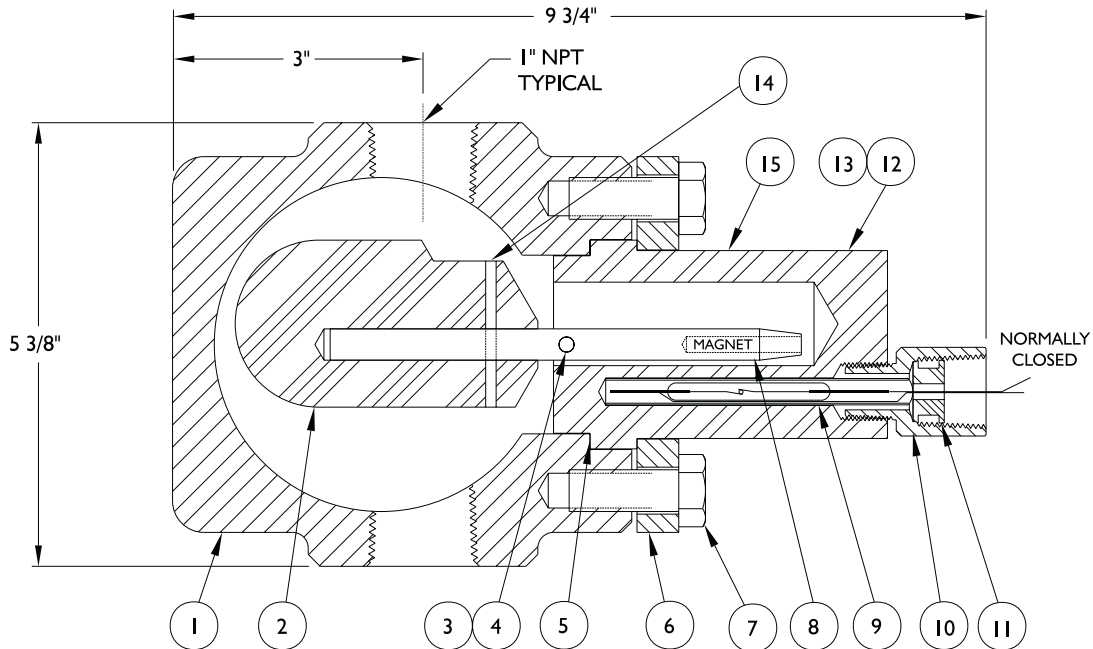




# LEVEL CONTROL SWITCHES

## LINC - L471 & L471SC SERIES

The LINC-L471SC Series:  
Standard Caged Units, Diagram & Parts List



Model LINC-L471SC-03

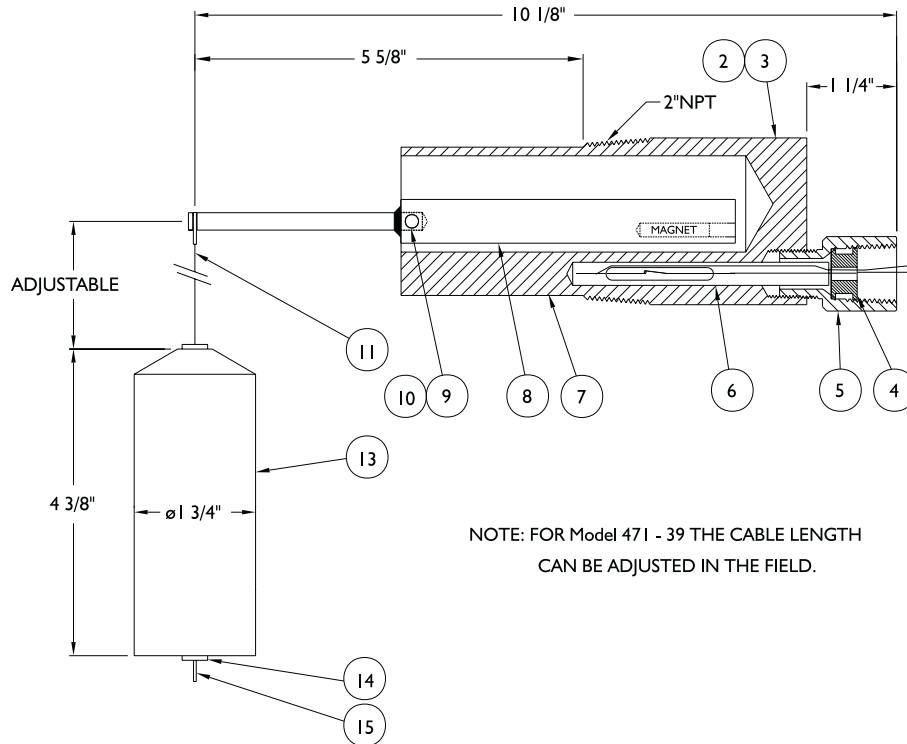
Model	L471SC-01	L471SC-02	L471SC-03			
Item	Part #	Part #	Part #	Description	Material	Qty
1	40256	40256	40256	Cage	Cast Steel	1
2	10245			Float	316 ss	1
		20149	30010	Float	Polypropylene	1
3	20334	20334	20334	Pin	316 ss	2
4	20121	20121	20121	Spacer	316 ss	1
5	11257	11257	11257	Gasket	PTFE	1
6	30258	30258	30258	Ring Flange	Steel	1
7	11216	11216	11216	Cap Screw	Plated, B7	6
8	20853	20853	21518	Float/Magnet Arm	316 ss	1
9	See Chart On Page 9			Switch Cartridge	Sealed	1
10	20119	20119	20119	Conduit Adapter	303 ss	1
11	10087	10087	10087	Grommet	Nitrile	1
12	10013	10013	10013	Nameplate	316 ss	1
13	10324	10324	10324	Drive Screw	18-8 ss	2
14			10663	Pin	15-7 PH ss	1
15	30282	30282	30282	Body	316 ss	1

# LEVEL CONTROL SWITCHES

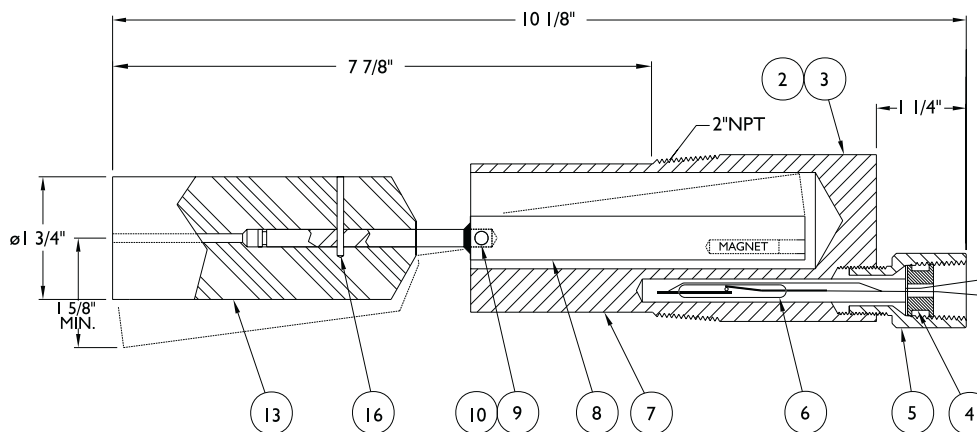
## LINC - L471 & L471SC SERIES

The LINC-L471 Series:  
Extended Body, Diagram

L471-39



L471-79



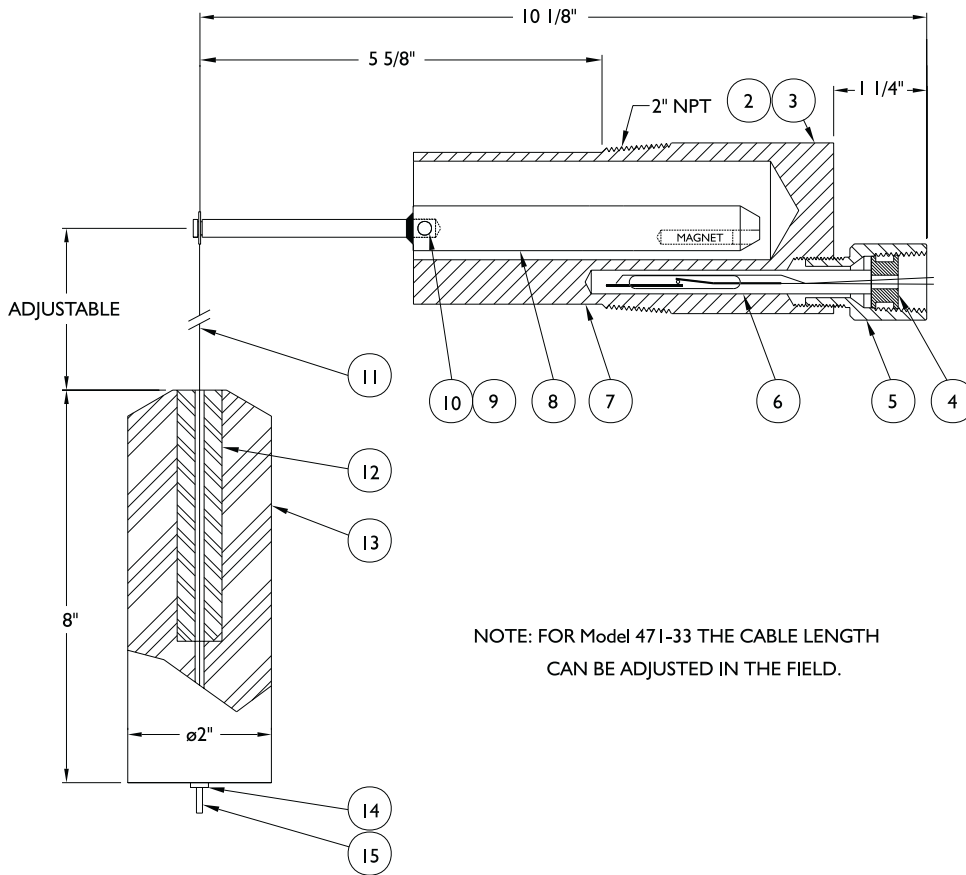
# LEVEL CONTROL SWITCHES

## LINC - L471 & L471SC SERIES

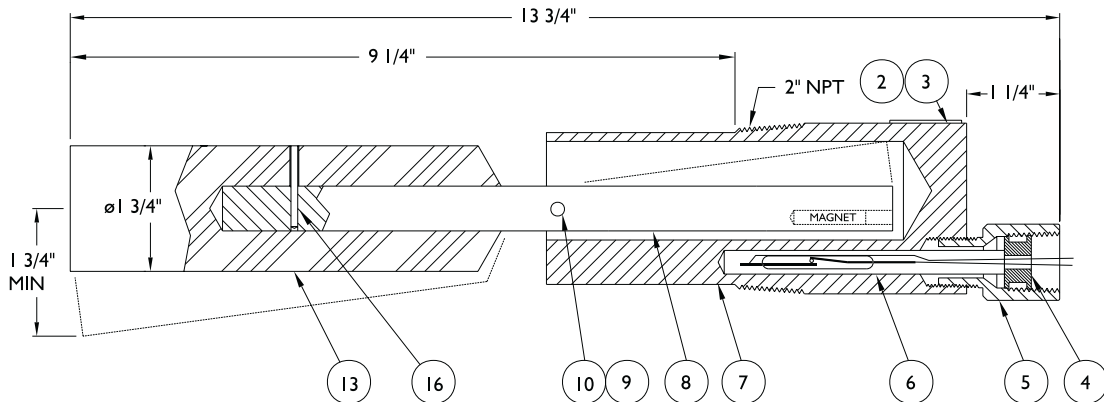
The LINC-L471 Series:  
Extended Body, Diagram

### L471 ELECTRIC LEVEL CONTROLS

L471 - 33



L471 - 73

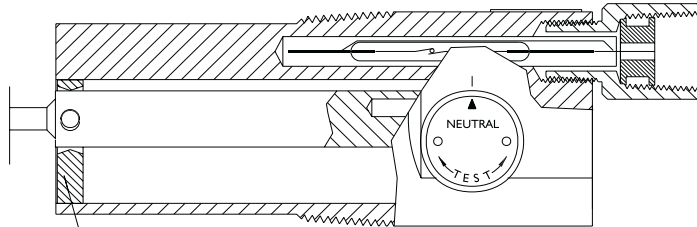


# LEVEL CONTROL SWITCHES

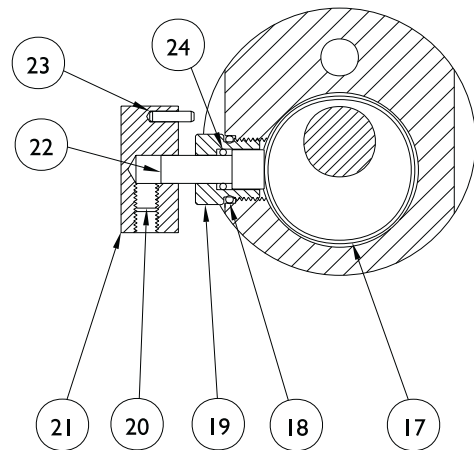
L I N C - L 4 7 1 & L 4 7 1 S C S E R I E S

The LINC-L471 Series:  
Extended Body, Manual Override

## BODY STYLE -6, -8



ANNULUS PLUG  
"OTHER" OPTION -02  
SUBSTITUTE P.N. 23655  
FOR SPACERS



PARTS SHOWN ARE FOR MANUAL OVERRIDE.  
OTHER PARTS ARE SAME AS STANDARD UNIT.

# LEVEL CONTROL SWITCHES

## LINC - L471 & L471SC SERIES

### The LINC-L471 Series:

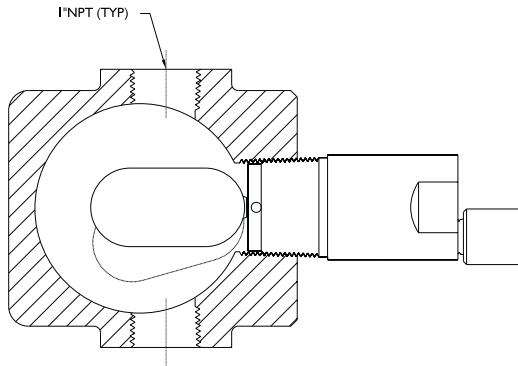
### Extended Body Styles -3, -6, -7, -8, Parts List

Model	L471-39	L471-79	L471-33	L471-73			
Item	Part #	Part #	Part #	Part #	Description	Material	Qty
1					Nameplate (not shown)		1
2	10012	10012	10012	10012	Nameplate	316 ss	1
3	10324	10324	10324	10324	Drive Screw	18-8 ss	2
4	10087	10087	10087	10087	Grommet	Nitrile	1
5	20119	20119	20119	20119	Conduit Adapter	303 ss	1
6	See Chart On Page 9				Switch Cartridge	Sealed	1
7	31079	31079	31079	31079	Body	316 ss	1
8	23540	23540	23540	24401	Float/Magnet Arm	316 ss	1
9	20334	20334	20334	20334	Pin	316 ss	1
10	23604	23604	23604	23604	Spacer	316 ss	2
11	11566		11566		Wire Cable	18-8 ss	24"
12			24181		Weight	316 ss	1
13	23503	23503	24182	24400	Displacer	Polypropylene	1
14	23500		23500		Stop Ring	316 ss	1
15	11565		11565		Crimp	18-8 ss	3
16		10663		10663	Pin	15-7 PH ss	1

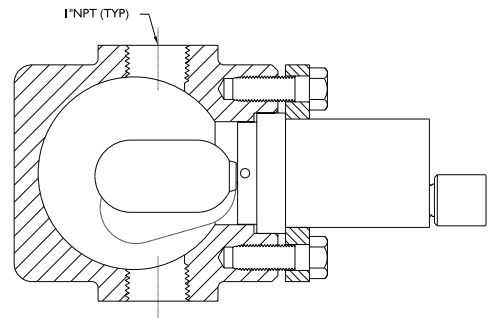
Model	L471-69	L471-89	L471-63	L471-83			
Item	Part #	Part #	Part #	Part #	Description	Material	Qty
1	11193	11193	11193	11193	Nameplate (not shown)	302 ss	1
2	10012	10012	10012	10012	Nameplate	316 ss	1
3	10324	10324	10324	10324	Drive Screw	18-8 ss	4
4	10087	10087	10087	10087	Grommet	Nitrile	1
5	20119	20119	20119	20119	Conduit Adapter	303 ss	1
6	See Chart On Page 9				Switch Cartridge	Sealed	1
7	31265	31265	31265	31265	Body	316 ss	1
8	24083	24083	24083	25134	Float/Magnet Arm	316 ss	1
9	20334	20334	20334	20334	Pin	316 ss	1
10	23604	23604	23604	23604	Spacer	316 ss	2
11	11566		11566		Wire Cable	18-8 ss	24"
12			24181		Weight	316 ss	1
13	23503	23503	24182	24400	Displacer	Polypropylene	1
14	23500		23500		Stop Ring	316 ss	2
15	11565		11565		Crimp	18-8 ss	3
16		10663		10663	Pin	15-7 PH ss	1
17	24887	24887	24887	24887	Ring Weldment	316 ss	1
18	10996	10996	10996	10996	O-Ring	Fluorocarbon	1
19	22271	22271	22271	22271	Packing Gland	316 ss	1
20	10621	10621	10621	10621	Set Screw	18-8 ss	1
21	22577	22577	22577	22577	Knob	303 ss	1
22	24875	24875	24875	24875	Stem	316 ss	1
23	11192	11192	11192	11192	Roll Pin	15-7 PH ss	3
24	10108	10108	10108	10108	O-Ring	Fluorocarbon	1

# LEVEL CONTROL SWITCHES

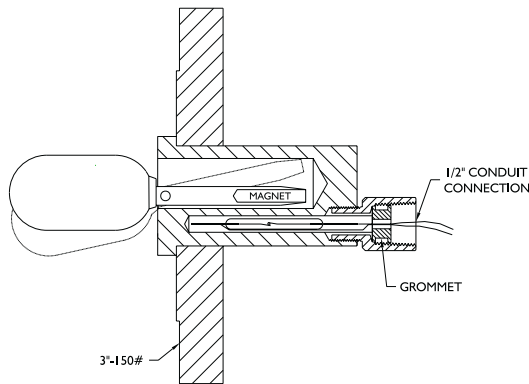
## STANDARD UNIT OPTIONS



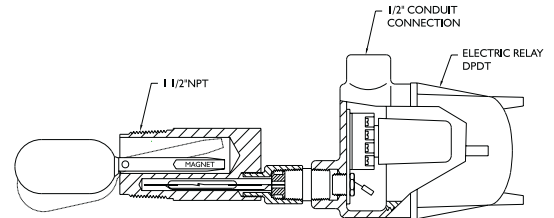
**L471-01 and 700 Series Cage**  
Compact external cage available in steel or stainless steel.



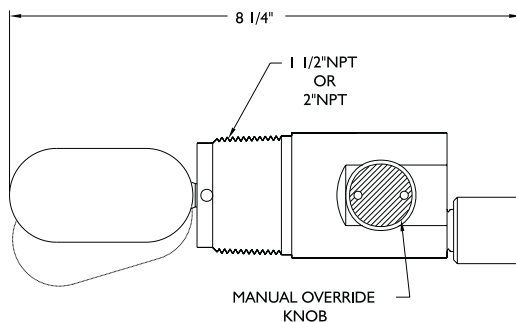
**L471SC-01 Ring Bolted**  
This ring bolt configuration eliminates the pipe threads on control mount and this meets API- RP14E Specifications.



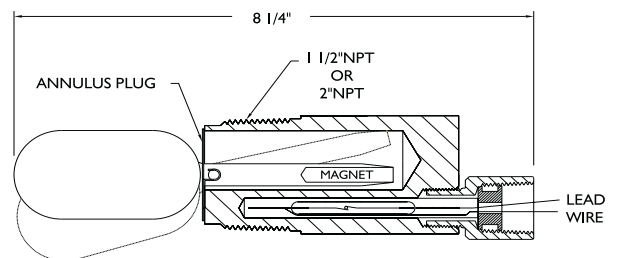
**L471-01-05 Flanged**  
Flanged units are available in 3" and larger at all pressure ratings.



**L471-01-03 Relay**  
Relay assembly gives DPDT contacts. Available on all models.



**L471-21 Manual Override**  
Turning the external knob causes the float arm to move, closing and opening the switch.

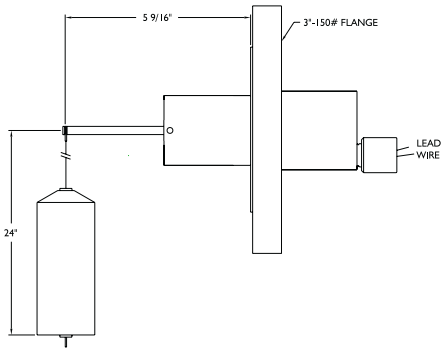


**L471-01-02 Annulus Plug**  
The Annulus Plug prevents foreign material from getting into the cavity. Available on all models.

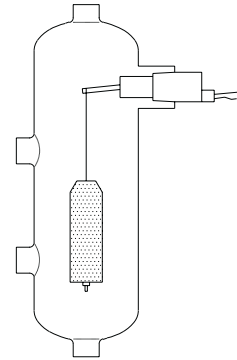


# LEVEL CONTROL SWITCHES

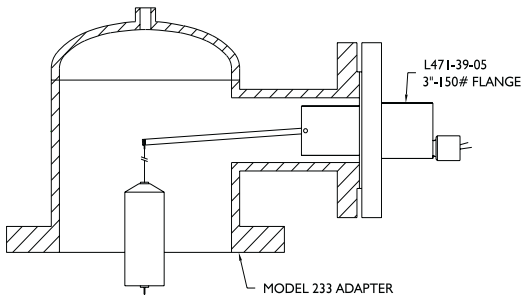
## OPTIONAL CONFIGURATIONS



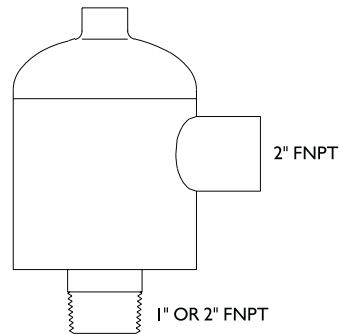
**L471-39-05 Flanged Model**  
Distance from horizontal center line of control to displacer is field adjustable.



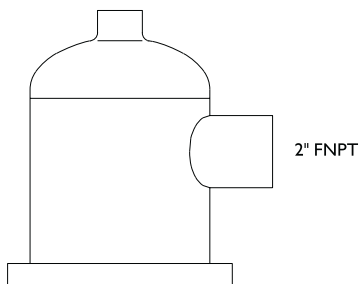
Choice of threaded, beveled or flanged process connections.



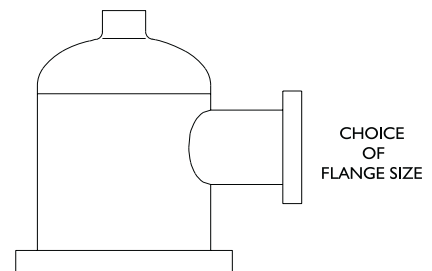
L471-39-05 with Model 233 Adapter



Model 221



Model 223



Model 233

# LEVEL CONTROL SWITCHES

## LINC - LV 4 7 1 & L 9 7 1 S E R I E S

### The LINC-LV471 & L971 Series: Electric Level Control Switches



L971



LV471

#### LV471 Application:

These controls are used as a high or low level control to sound alarms, operate control equipment or perform a variety of desired electrical functions. These controls will operate in any specific gravity of 0.7 or higher. The standard unit has a 3" O.D. sphere float and is rated at 250 psi. The standard float arm is 4" long. Various floats and float arm lengths are available to fit your application. These controls are available with a normally closed or normally open switch arrangement. This unit is installed through a 1-1/2" NPT fitting and the float is attached with a cotter key after the body is screwed into place. Various flanged models are also available to meet your specifications.

#### L971 Extended, Horizontal Body Application:

These controls are used as a high or low level control. The electrical switch closure may be used to sound alarms, operate control equipment or perform any desired electrical function. These standard units are installed through a 1" NPT fitting. The standard float is a solid, high-density polypropylene material and will operate in specific gravities of 0.6 or higher. Due to the length of the float, these controls must have 3" of vertical clearance for the unit to operate. This control is available in a wide variety of designs to meet any specific requirements.

#### Benefits:

- Easy to Repair.....
- No Leaks.....
- Lower Operating Costs.....
- Lower Inventory.....
- Versatile.....
- Safe.....
- Corrosion Resistant.....
- Optional Corrosion Resistant Materials...
- Reliable.....
- High & Low Pressure Applications...

#### Features:

- Repairs on-site in 20 minutes with the Quick-Change switch cartridge
- Environmentally-isolated design keeps operational fluids away from electrical circuitry
- Quick-Change, inexpensive replacement parts
- LV471 and L971 serve both High & Low level applications
- Optional with the LV471 is the choice of normally open or normally closed switch positions
- One L971 Provides both normally open, and normally closed switching by simply inverting the L971's position
- Certified as explosion-proof<sup>1</sup> for Hazardous Locations: Class I, Div. 1, Groups A, B, C, D; Class II, Div. 1, Groups E, F, G; and Class III, Div. 1, by CSA a Nationally Recognized Testing Laboratory in the U.S. and Canada
- Standard 316 Stainless Steel wetted and housing components for corrosion resistance
- Monel, Teflon Coated, Hastelloy C, and Alloy 20
- Sealed switch cartridge prevents dust, fluids, and corrosion from interfering with electrical circuitry
- Available with Stainless Steel and Polypropylene displacer options for various process pressures

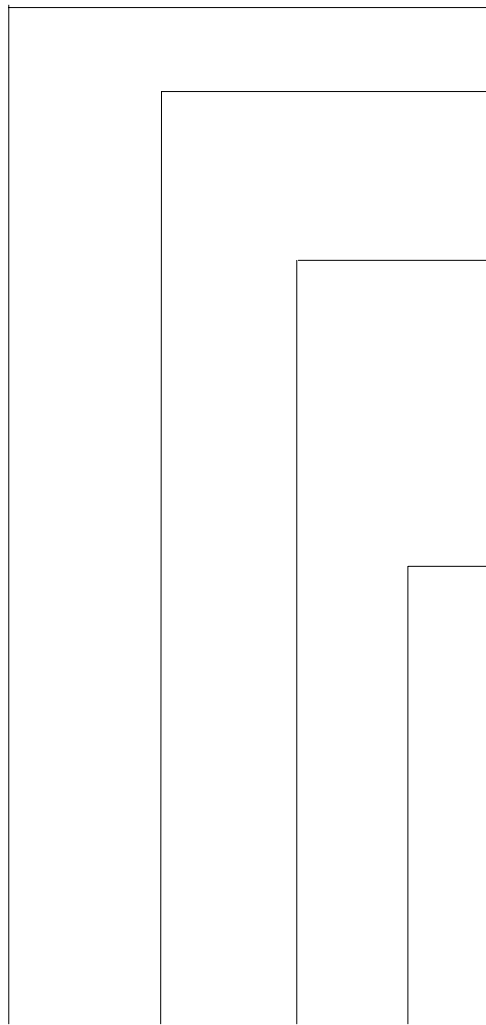
<sup>1</sup> When a relay assembly is used, Class I, Div. 1, is limited to Groups C, and D.

# LEVEL CONTROL SWITCHES

## LINC - LV471 & L971 SERIES

<b>Specifications: LV471 Vertical Series &amp; L971 Extended Body Series Electric Level Control Switches</b>		
<b>Series:</b>	<b>LV471 Vertical</b>	<b>L971 Horizontal Extended Body Series</b>
<b>Pressure:</b>	250 psi	2,500 psi
<b>Temperature:</b>	-40°F to + 400°F standard, with 500°F optional	-40°F to + 180°F, with 500°F optional
<b>Specific Gravity:</b>	0.7 minimum	0.6 minimum
<b>Materials:</b>	316 stainless steel wetted parts	Displacer is polypropylene. Other wetted parts 316ss
<b>Connections:</b>		
<b>Process:</b>	1-1/2" NPT vertical, available flanged, specify type	1" NPT std., available in 1-1/2" NPT or flanged, specify
<b>Electrical:</b>	1/2" conduit, with other sizes optional	1/2" conduit, with other sizes optional
<b>Switch Rating:</b>	SPST (SPDT optional) 100 V.A. AC, 100W DC, 3 amp inrush capability, maximum of 250 Volts, Hermetically sealed	
<b>CSA Certification:</b>	Listed as explosion-proof for Class I, Div. 1, Groups A, B, C, D <sup>2</sup> ; Class II, Div. 1, Groups E, F, G; and Class III, Div. 1	

### Ordering Chart:



**Series:**

- LV471 - Vertical electric level control
- L971 - Horizontal electric level control

**Body Style:**

- 03 - Standard unit, 1 1/2" NPT, normally open (LV471 only)
- 13 - Optional unit, 2" NPT, normally open (LV471 only)
- 04 - Standard unit, 1 1/2" NPT, normally closed (LV471 only)
- 14 - Optional unit, 2" NPT, normally closed, (LV471 only)
- 01 - Standard unit, 1" NPT (L971 only)

**Other<sup>1</sup>:**

- 03 - Relay assembly<sup>2</sup>, general purpose plug-in, 24VDC DPDT 10 Amp
- 04 - Relay assembly<sup>2</sup>, general purpose plug-in, 120VAC DPDT 10 Amp
- 08 - Relay assembly<sup>2</sup>, hermetically sealed plug-in, 24VDC DPDT 10 Amp
- 09 - Relay assembly<sup>2</sup>, hermetically sealed plug-in, 120VAC DPDT 10 Amp
- 05 - This number means special; specify your requirements. i.e. 3" flanged 150# RF

**Option Number:**

- ( ) - Factory will assign an option number based on specified requirements.

<sup>1</sup> If no further requirements are desired, omit "Other" option codes from the part number.

<sup>2</sup> When a relay assembly is used, Class I, Div. 1, is limited to Groups C, and D.

LINC- \_\_\_\_\_ - \_\_\_\_\_ - \_\_\_\_\_ ( )

**Example: LINC-LV471-04-05 electric level control**

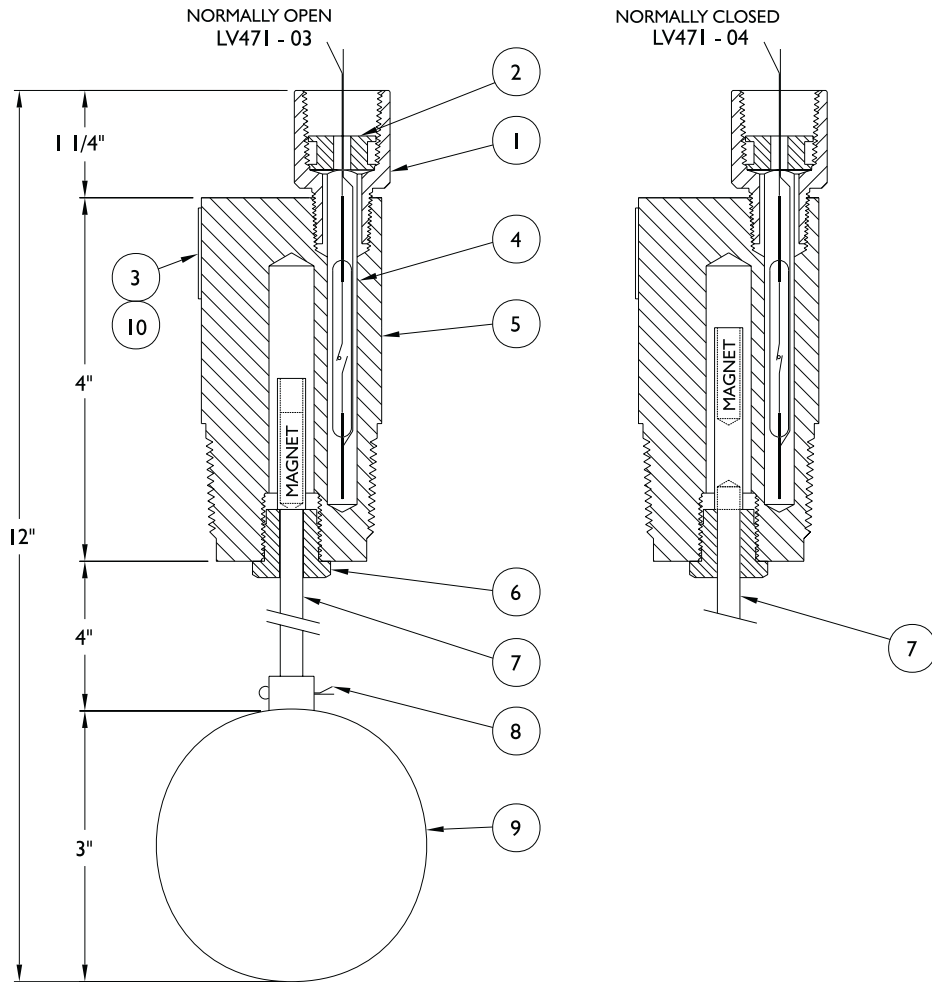
Specify: 3" - 150# RF, CS flange, 10" arm extension, 120 VAC relay



# LEVEL CONTROL SWITCHES

## LINC - LV 471 & L 971 SERIES

The LINC-LV471 Series:  
Standard Units, Diagram and  
Parts List



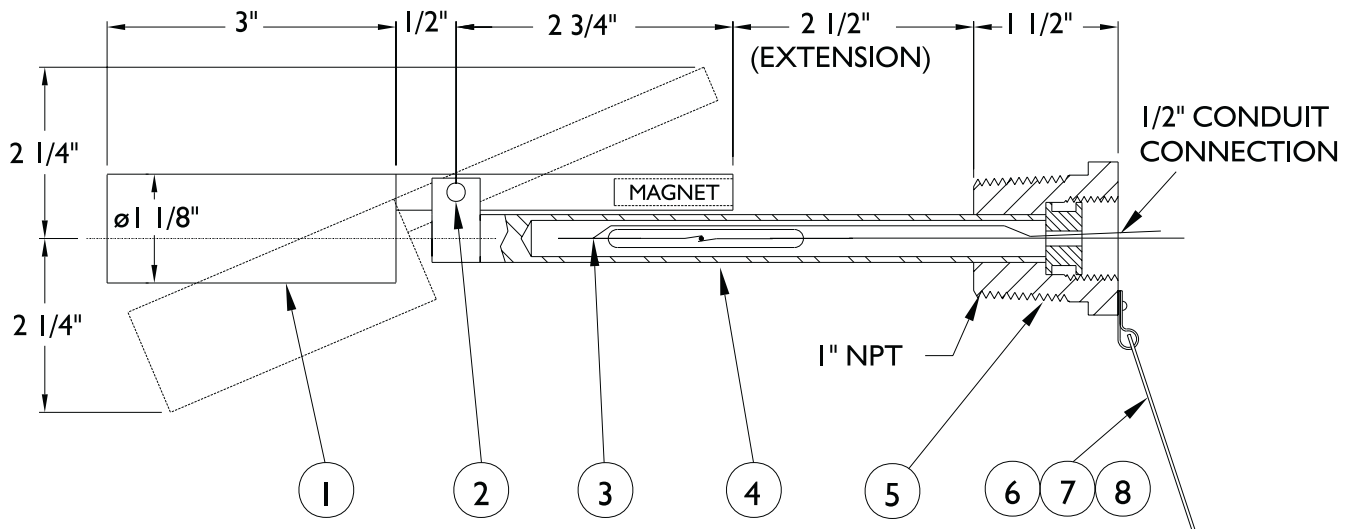
Model	LV471-03	LV471-04	LV471-13	LV471-14	Description	Material	Qty
Item	Part #	Part #	Part #	Part #			
1	20119	20119			Conduit Adapter	303 ss	1
2	10087	10087			Grommet	Nitrile	1
3	10012	10012			Nameplate	316 ss	1
4	See Chart On Page 9				Switch Cartridge	Sealed	1
5	30316	30316	31156	31156	Body	316 ss	1
6	20152	20152			Float Arm Retainer	316 ss	1
7	20446	20444			Float Arm Assembly	316 ss	1
8	10237	10237			Cotter Pin	18-8 ss	1
9	10250	10250			Float	316 ss	1
10	10324	10324			Drive Screw	18-8 ss	2

# LEVEL CONTROL SWITCHES

## LINC - LV471 & L971 SERIES

The LINC-L971 Series:  
Standard Units, Diagram and  
Parts List

L971-01

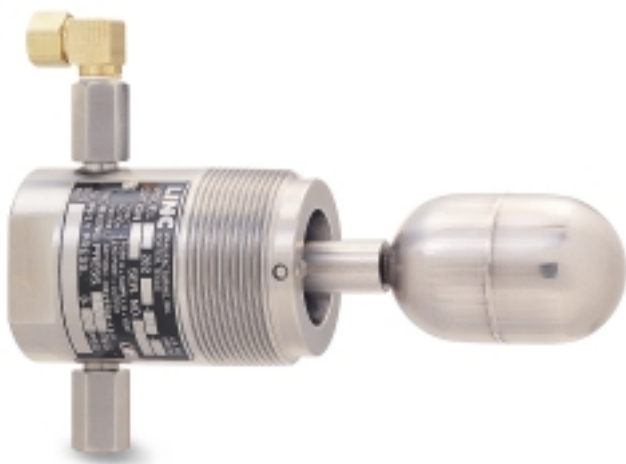


Model	L971-01			
Item	Part #	Description	Material	Qty
1	21161	Arm Assembly (Displacer & Magnet Arm) ...	Polypropylene	1
2	21001	Pivot Pin	316 ss	1
3	20416	Switch Cartridge	Sealed	1
4	30117	Body	316 ss	1
5	10087	Grommet	Nitrile	1
6	12972	Nameplate	316 ss	1
7	13060	Drive Screw	18-8 ss	1
8	13061	Loop Clamp	18-8 ss	1

# LEVEL CONTROL SWITCHES

L I N C - 2 8 2 & 2 8 2 S C S E R I E S

## The LINC-282 & LINC-282SC Series: Snap Acting, Non-Bleed Pneumatic Level Control Switches



### Application:

These units are used as a level control or as a high or low level alarm. The pneumatic output can be used to operate valves, sound alarms or perform any other desired pneumatic function. Any liquid or liquid interface can be monitored.

### Operation:

As the float is moved by varying liquid height, a magnet in the float arm is moved. The magnet operates the 282's three-way, two-position cartridge. The output is snap-acting from 0 psi to full supply pressure or conversely, on float movement.

The arm containing the magnet also acts as a counterweight for the float. As a result, the float is small and can operate in liquids with a specific gravity of 0.5 or higher. This small float permits economical installation where other types of controls would be cost prohibitive.

Direct acting (increase in liquid level increases output) or indirect acting (increase in liquid level decreases output) is selected simply by changing the supply pressure and exhaust connections.

### Benefits:

- Easy to Repair.....
- Easy to Field Test.....
- No Leaks.....
- Lower Operating Costs.....
- Lower Inventory.....
- Safe.....
- Corrosion Resistant.....
- Optional Corrosion Resistant Materials.....
- High & Low Pressure Applications.....

### Features:

- Repairs on-site in 20 minutes with the Quick-Change pneumatic cartridge
- The Manual Override option enables mechanical and pneumatic function testing while installed
- Environmentally-isolated design keeps operational fluids away from supply gas
- Quick-Change replacement parts
- Non-Bleed output saves gas
- Direct or indirect acting by changing the supply and exhaust ports
- Use One 282 on either high or low level activation
- Pneumatic activation in an environmentally-isolated design
- Standard 316 Stainless Steel wetted and housing components for corrosion resistance
- Monel, Kynar, Teflon, Teflon Coated, Hastelloy C, PVC, Polypropylene, and Alloy 20
- Available with Stainless Steel and Polypropylene displacer options for various process pressures



# LEVEL CONTROL SWITCHES

## LINC - 282 & 282SC SERIES

Specifications: LINC-282 & LINC-282SC Series Pneumatic Level Controls	
<b>Output:</b>	Non-bleed, snap-acting
<b>Pressure:</b>	Working: 1,500 psi std., available to 5,000 psi, (1,500 psi maximum with the Manual Override option)
	Supply: 30, 60, 100 psi std.
	Output: 0-30, 0-60, 0-100 psi
<b>Temperature:</b>	-40°F to + 450°F
<b>Specific Gravity:</b>	0.5 minimum standard, interface 0.1 differential minimum
<b>Materials:</b>	316 stainless steel standard, other austenitic metals and plastics available
<b>Flow Rate:</b>	40 SCFH at 30 psi, with 30 psi cartridge
<b>Connections:</b>	Process: 2" NPT standard, available 1 1/2" NPT, 3" flanged or larger, and externally caged
	Supply: 1/4" NPT
	Output: 1/4" NPT

### Ordering Chart:

**Series:**

- 282 - Pneumatic level control
- 282SC - Externally caged pneumatic level control, ring bolted (available on body style "0" only)

**Body Style:**

- 0 - Ring bolted, 1,500 psi WP standard, 3,000 psi WP available only in the 282SC model
- 1 - Standard, 2" NPT
- 2 - Standard, 2" NPT with manual override
- 3 - Extended 1', 2" NPT, vertical displacer
- 6 - Extended 1', 2" NPT, vertical displacer, manual override
- 7 - Extended 1', 2" NPT, horizontal displacer
- 8 - Extended 1', 2" NPT, horizontal displacer, manual override

**Type:**

- 1 - Standard
- 2 - High pressure, 5,000 psi polypropylene displacer, temperature +180°F max, specific gravity 0.6 min.
- 3 - Interface, 5,000 psi polypropylene displacer, temperature +180°F max, upper fluid less than: .870 specific gravity; lower fluid more than: .970 specific gravity.
- 4 - Other gravities for interface, specify gravities of fluids (upper & lower)
- 9 - Displacer, 5,000 psi polypropylene displacer, temperature +180°F max, specific gravity 0.5 min.

**Supply Pressure:**

- 1 - Maximum, 30 psi, flow rate at 30 psi, 40 scfh
- 2 - Maximum, 60 psi, flow rate at 30 psi, 25 scfh
- 3 - Maximum, 100 psi, flow rate at 30 psi, 15 scfh

**Other 2:**

- 0 - None
- 2 - Annulus plug
- 5 - This number means special; specify your requirements. i.e. 3" flanged 150# RF

**Option Number:**

- ( ) - Factory will assign an option number based on specified requirements.

<sup>1</sup> Body style 3, 6, 7, 8 available only Type 9.  
<sup>2</sup> If no further requirements are desired, omit "Other" option codes from the part number.  
Example: 282-11-10

**LINC- - - - ( )**

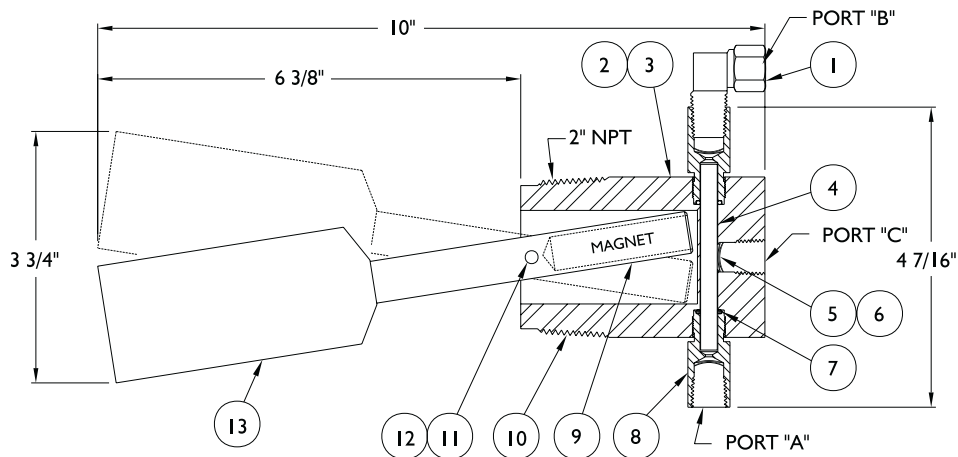
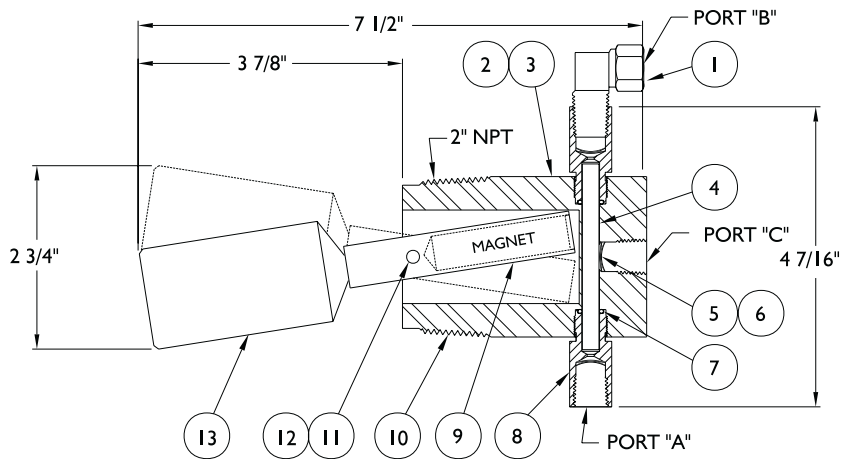
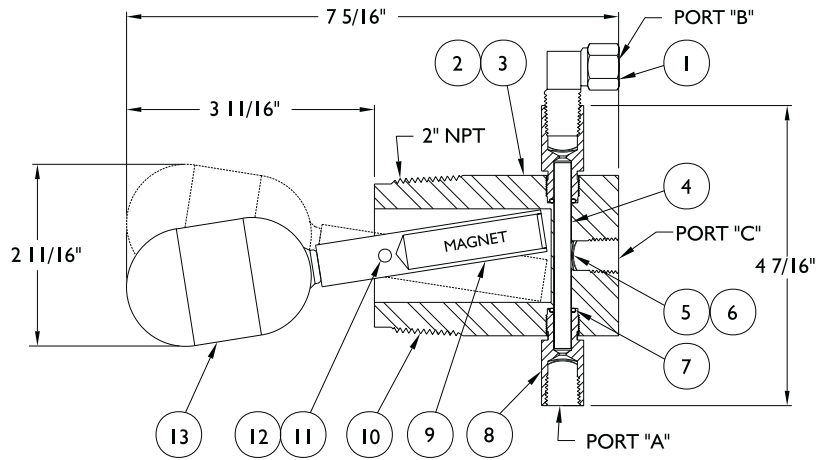
**Example: LINC-282-11-15 pneumatic level control**  
Specify: 3" - 150# RF, CS flange



# LEVEL CONTROL SWITCHES

L I N C - 2 8 2 & 2 8 2 S C S E R I E S

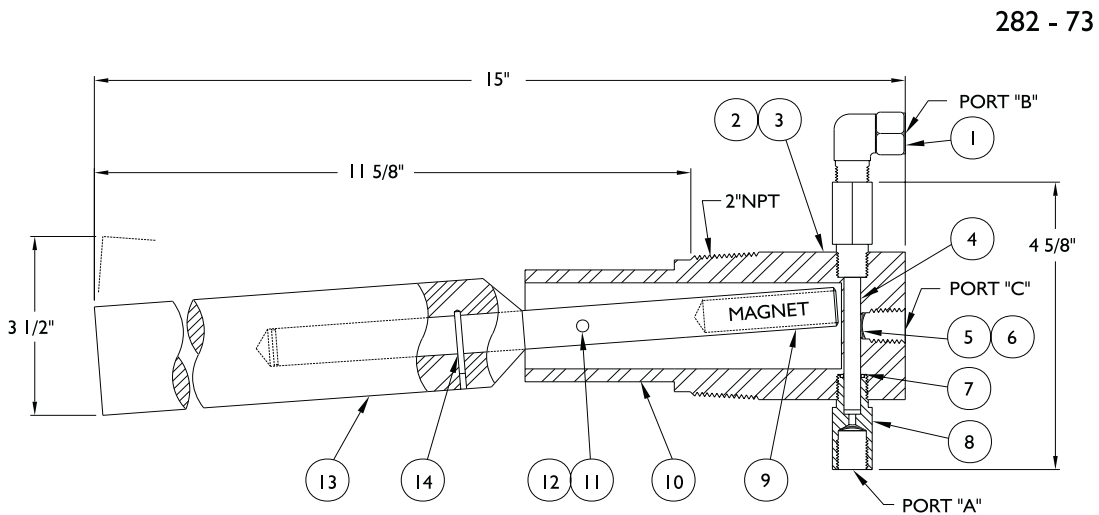
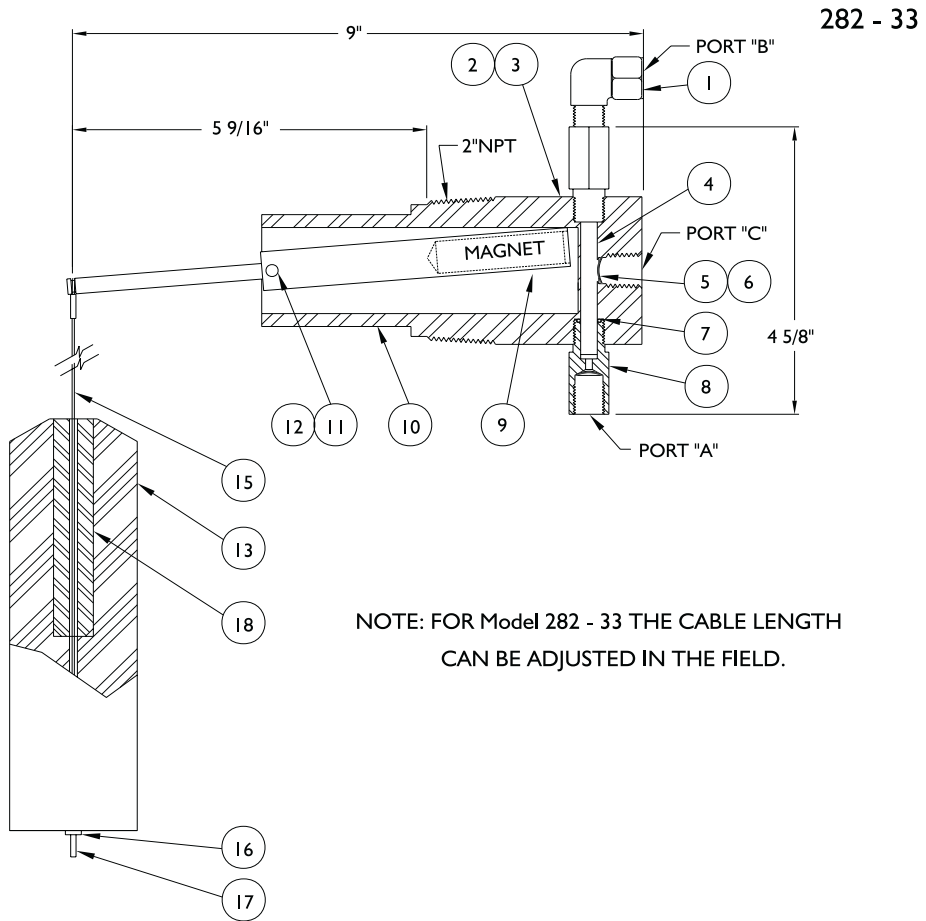
The LINC-282 Pneumatic Series:  
Standard Unit, Diagram



# LEVEL CONTROL SWITCHES

## LINC - 282 & 282 SC SERIES

The LINC-282 Pneumatic Series:  
Standard Unit, Diagram

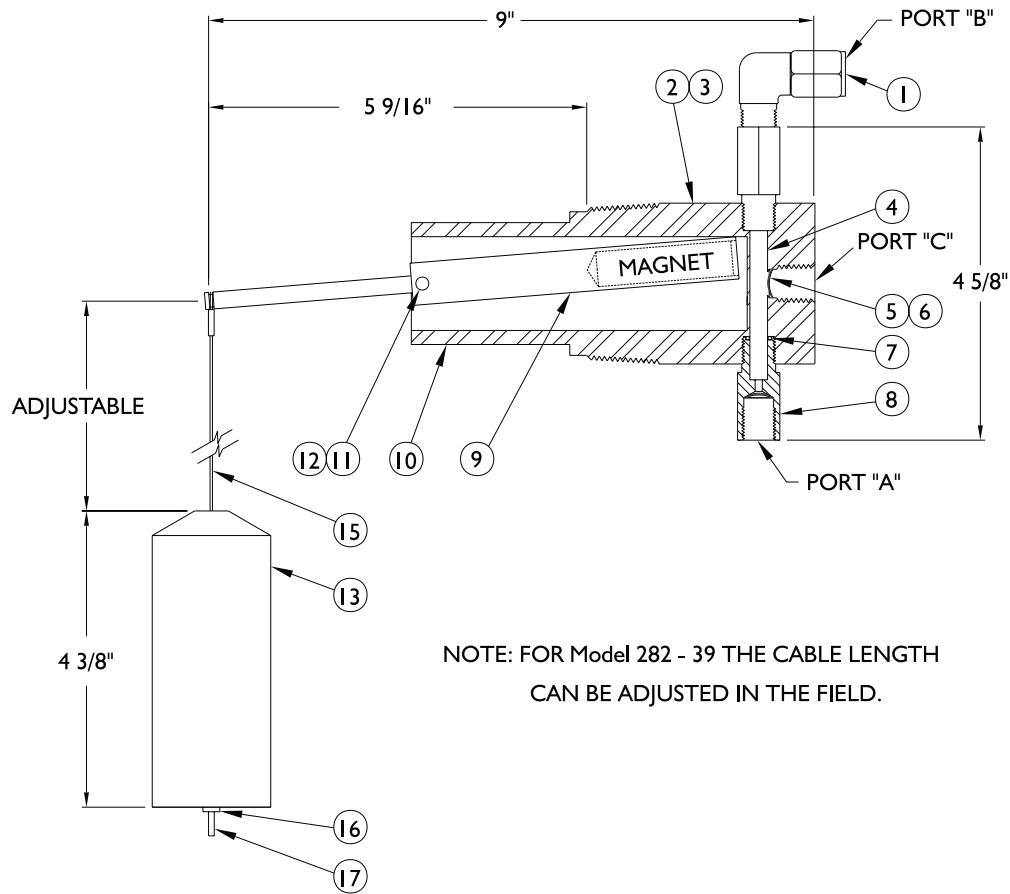


# LEVEL CONTROL SWITCHES

L I N C - 2 8 2 & 2 8 2 S C S E R I E S

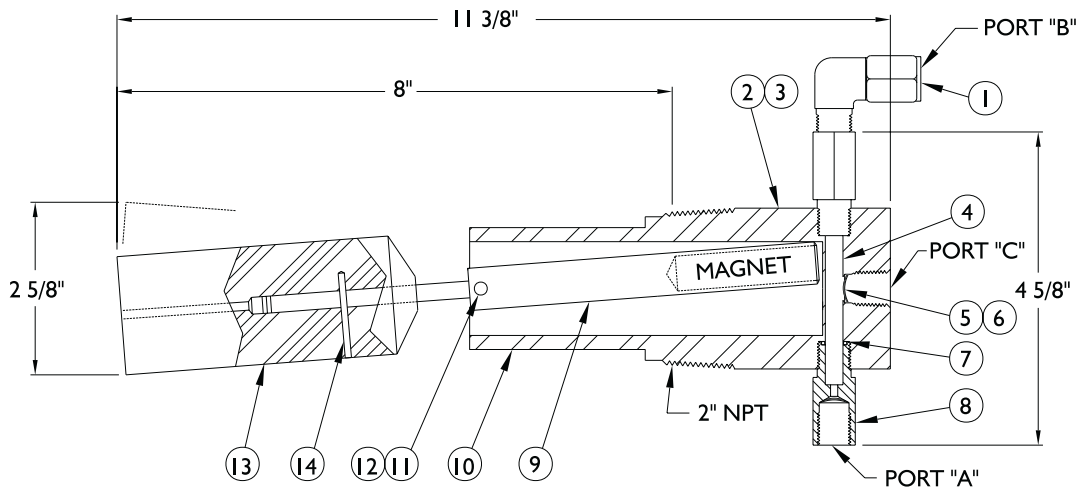
The LINC-282 Pneumatic Series:  
Extended Body, Diagram

## 282 PNEUMATIC LEVEL CONTROL



282 - 39

282 - 79



# LEVEL CONTROL SWITCHES

## LINC - 282 & 282 SC SERIES

### The LINC-282 Pneumatic Series: Parts List

Model	282-11	282-12	282-13			
Item	Part #	Part #	Part #	Description	Material	Qty
1	23339	23339	23339	Vent Assembly	Brass	1
2	10998	10998	10998	Nameplate	316 ss	1
3	10324	10324	10324	Drive Screw	18-8 ss	2
4	See Chart Below			Switch Cartridge		
5	11006	11006	11006	Filter	18-8 ss	3
6	10403	10403	10403	Retaining Screen	18-8 ss	3
7	10108	10108	10108	O-Ring	Fluorocarbon	2
8	22451	22451	22451	Port Adapter	303 ss	2
9	22068	22068	22166	Float/Magnet Arm	316 ss	1
10	30816	30816	30816	Body	316 ss	1
11	20334	20334	20334	Pin	316 ss	1
12	22066	22066	22066	Spacer	316 ss	2
13	13217			Float/Displacer	316 ss	1
		20892	20898	Float/Displacer	Polypropylene	1

Model	282-33	282-39	282-73	282-79			
Item	Part #	Part #	Part #	Part #	Description	Material	Qty
1	23339	23339	23339	23339	Vent Assembly	Brass	1
2	10998	10998	10998	10998	Nameplate	316 ss	1
3	10324	10324	10324	10324	Drive Screw	18-8 ss	2
4	See Chart Below				Switch Cartridge		1
5	11006	11006	11006	11006	Filter	18-8 ss	3
6	10403	10403	10403	10403	Retaining Screen	18-8 ss	3
7	10108	10108	10108	10108	O-Ring	Fluorocarbon	2
8	22451	22451	22451	22451	Port Adapter	303 ss	2
9	31074	31074	31113	31074	Float/Magnet Arm	316 ss	1
10	31072	31072	31072	31072	Body	316 ss	1
11	23537	23537	23537	23537	Pin	316 ss	1
12	22066	22066	22066	22066	Spacer	316 ss	2
13	24182	23503	23512	23503	Float/Displacer	Polypropylene	1
14	11571	11571	11571	11571	Pin	15-7 PH ss	1
15	11566	11566			Wire	18-8 ss	24"
16	23500	23500			Stop Ring	316 ss	2
17	11565	11565			Crimp	18-8 ss	3
18	24181				Weight	316 ss	1

#### Pneumatic Switch Cartridge

Part #	Model Option	Description
22935	-1	0-30 PSI Switch
22936	-2	0-60 PSI Switch
22899	-3	0-100 PSI Switch

All 282 Ports are 1/4" NPT Female.

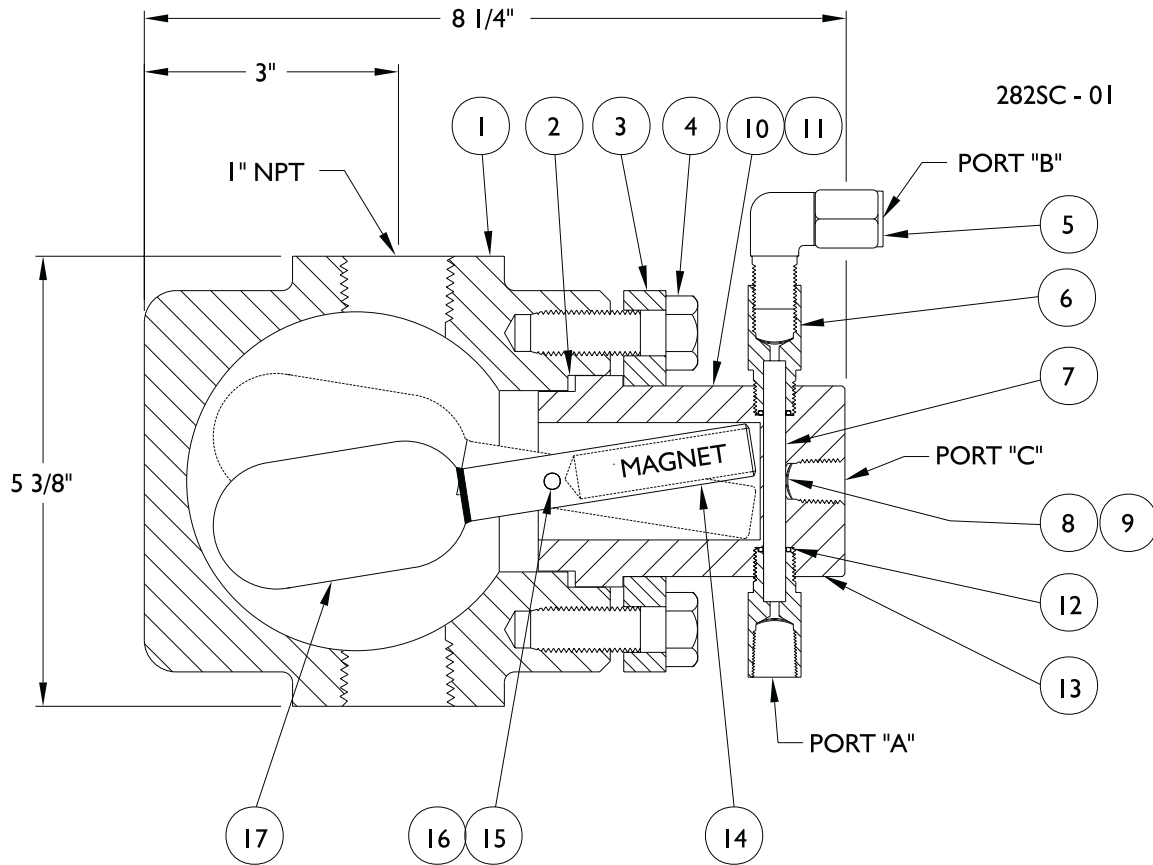
For Direct Acting Operation:  
Connect Supply to Port "A"  
Connect Output to Port "C"  
Port "B" is Vent

For Indirect Acting Operation:  
Connect Supply to Port "B"  
Connect Output to Port "C"  
Port "A" is Vent

# LEVEL CONTROL SWITCHES

L I N C - 2 8 2 & 2 8 2 S C S E R I E S

The LINC-282SC Pneumatic Series:  
Standard Caged Units, Diagram

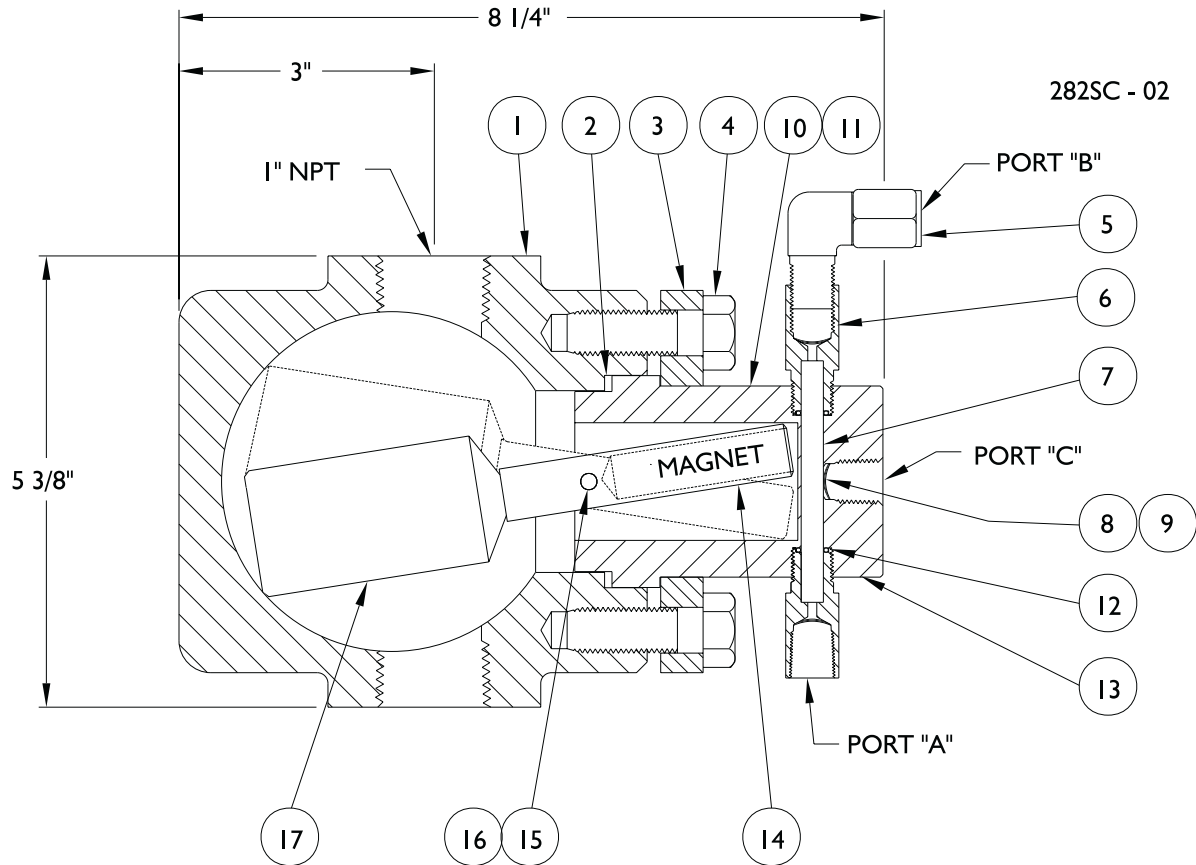




# LEVEL CONTROL SWITCHES

L I N C - 2 8 2 & 2 8 2 S C S E R I E S

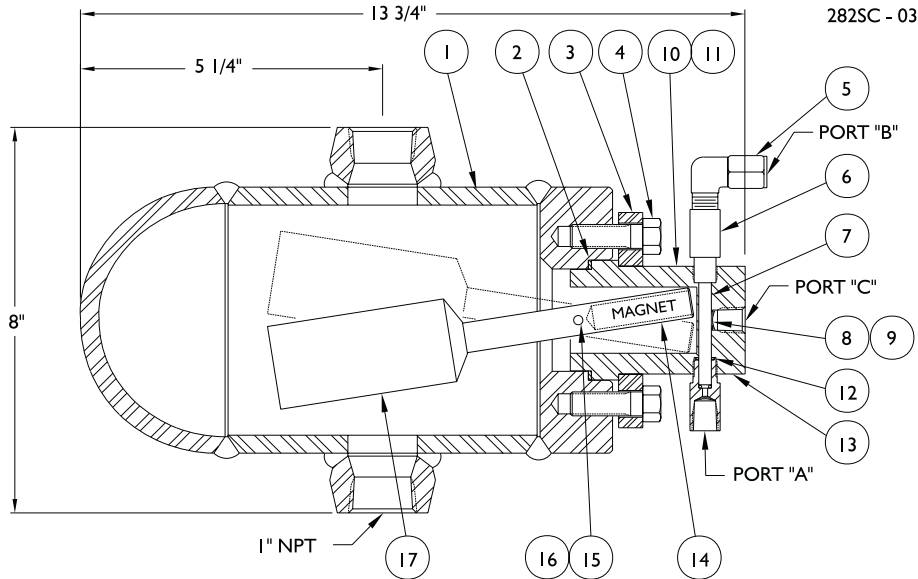
The LINC-282SC Pneumatic Series:  
Standard Caged Units, Diagram



# LEVEL CONTROL SWITCHES

L I N C - 2 8 2 & 2 8 2 S C S E R I E S

The LINC-282SC Pneumatic Series:  
Standard Caged Units, Diagram and Parts List



Model	282SC-01	282SC-02	282SC-03			
Item	Part #	Part #	Part #	Description	Material	Qty
1	40256	40256	43561	Cage	Steel	1
2	11257	11257	11257	Gasket	PTFE	1
3	30258	30258	30258	Ring Flange	Steel	1
4	11216	11216	11216	Cap Screw	Plated, B7	6
5	23339	23339	23339	Vent Assembly	Brass	1
6	22451	22451	22451	Port Adapter	303 ss	2
7	See Chart Below			Switch Cartridge	Sealed	1
8	10403	10403	10403	Retaining Screen	18-8 ss	3
9	11006	11006	11006	Filter	18-8 ss	3
10	10998	10998	10998	Nameplate	316 ss	1
11	10324	10324	10324	Drive Screw	18-8 ss	2
12	10108	10108	10108	O-Ring	Fluorocarbon	2
13	30848	30848	30848	Body	316 ss	1
14	22068	22068	22166	Float/Magnet Arm	316 ss	1
15	20334	20334	20334	Pin	316 ss	1
16	22066	22066	22066	Spacer	316 ss	2
17	10245			Float/Displacer	316 ss	2
		20892	20898	Float/Displacer	Polypropylene	1

### Pneumatic Switch Cartridge

Part #	Model Option	Description
22935	-1	0-30 PSI Switch
22936	-2	0-60 PSI Switch
22899	-3	0-100 PSI Switch

All 282 Ports are 1/4" NPT Female.

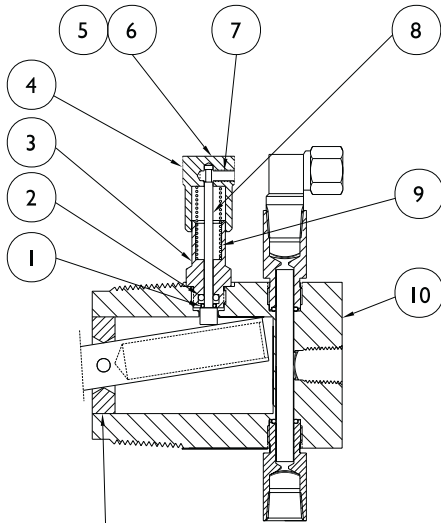
For Direct Acting Operation:  
Connect Supply to Port "A"  
Connect Output to Port "C"  
Port "B" is Vent

For Indirect Acting Operation:  
Connect Supply to Port "B"  
Connect Output to Port "C"  
Port "A" is Vent

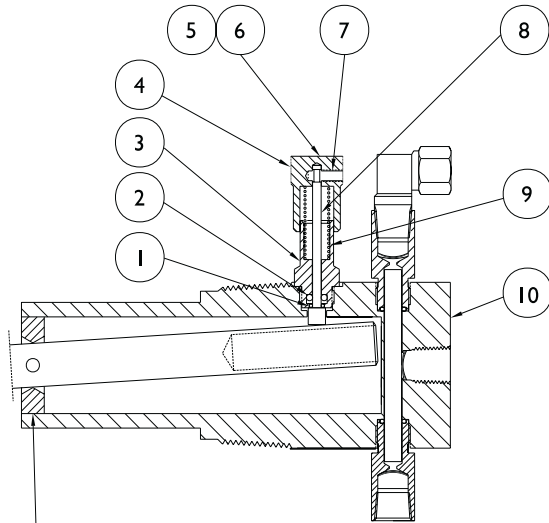
# LEVEL CONTROL SWITCHES

## LINC - 282 & 282 SC SERIES

The LINC-282 Pneumatic Series:  
Manual Override Standard Units & Extended Body,  
Diagram and Parts List



ANNULUS PLUG OPTION  
SUBSTITUTE P.N. 22184  
FOR SPACERS



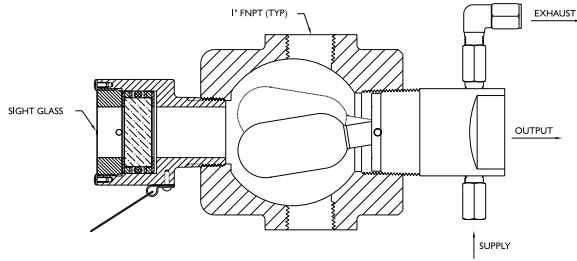
ANNULUS PLUG OPTION  
SUBSTITUTE P.N. 22184  
FOR SPACERS

Model	282-2	282-6, -8			
Item	Part #	Part #	Description	Material	Qty
1	10282	10282	O-Ring	Fluorocarbon	1
2	11139	11139	O-Ring	Fluorocarbon	1
3	24991	24991	Nut, manual override	303 ss	1
4	24993	24993	Knob	303 ss	1
5	11186	11186	Nameplate	316 ss	1
6	10324	10324	Drive Screw	18-8 ss	1
7	11361	11361	Socket Head Screw	316 ss	1
8	24992	24992	Stem	316 ss	1
9	13175	13175	Spring	18-8 ss	1
10	30809	31103	Level Control Body	316 ss	1

PARTS FOR 282 CONTROLS WITH MANUAL OVERRIDE  
OTHER PARTS ARE SAME AS STANDARD UNIT

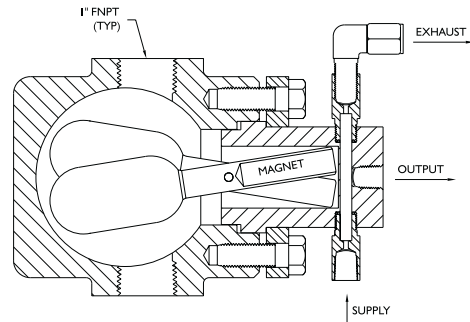
# LEVEL CONTROL SWITCHES

## STANDARD UNIT OPTIONS



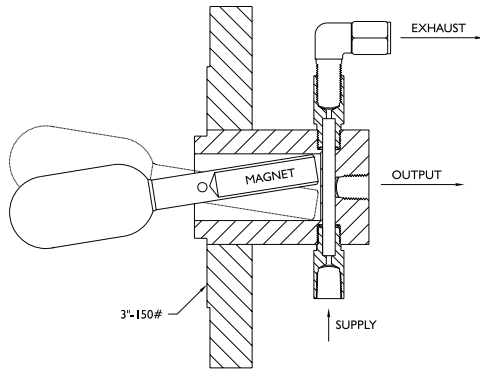
### 282 & 700 Cage

Compact external cage available in steel or stainless steel.



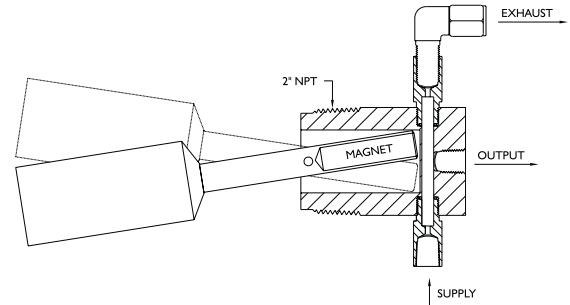
### 282SC

This rig bolt configuration eliminates the 2" pipe threads on control mount and meets API-RP14E Specifications.



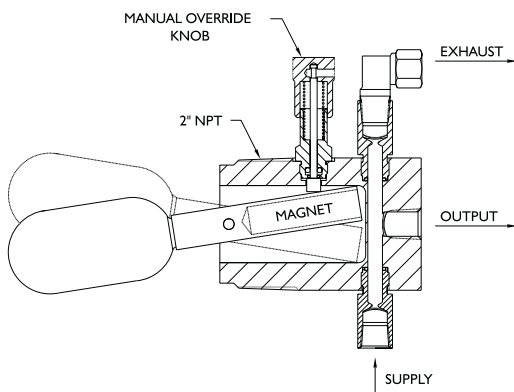
### 282 Flanged

Flanged units are available in 3" and larger and all pressure ratings.



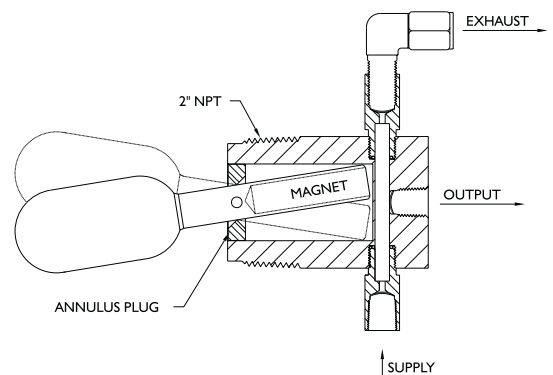
### 282-13 Interface

The interface unit will operate in fluids with specific gravity differential as low as 0.1.



### 282 Manual Override

Pushing the external knob causes the float arm to move, operating the pneumatic cartridge by manual means.

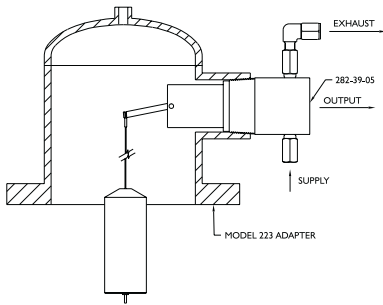


### 282 Annulus Plug

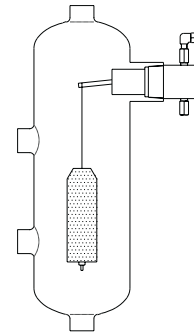
The Annulus Plug prevents foreign material from getting into the cavity. Available on all models.

# LEVEL CONTROL SWITCHES

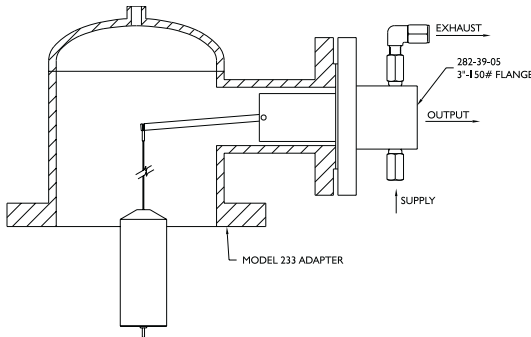
## OPTIONAL CONFIGURATIONS



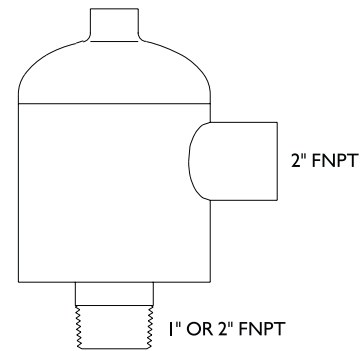
282-39  
Allows direct replacement of other manufacturer level control. Patent #4,481,389



Choice of threaded, beveled or flanged connections.

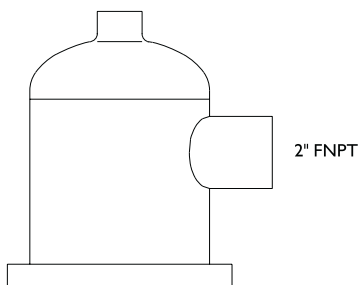


282-39-05 with Model 233 Adaptor

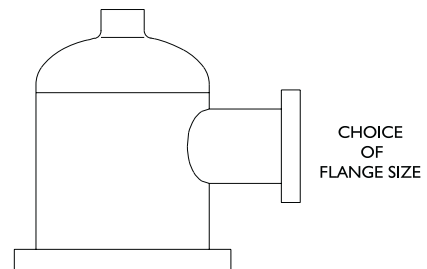


MODEL 221

Model 221



Model 223



Model 233

# LEVEL CONTROL SWITCHES

L I N C - P T 2 6 5 & P T 9 6 6 S E R I E S

The LINC-PT265, PT265SC, & LINC-PT966 Series:  
Throttling Pneumatic Level Control Switches



## Application:

The pneumatic output can be used as a level control for throttling valves, sounding alarms or performing any desired pneumatic function. Any liquid or liquid interface can be monitored.

## Operation:

As the float is moved by varying liquid height, a magnet is moved closer to or further from the pneumatic actuator. On these throttling controls, as the magnet moves closer to the pneumatic actuator, the output increases. As the magnet moves further from the pneumatic actuator, the output decreases. Output is from 3 - 15 psi with a 20 psi supply pressure.

The arm containing the magnet also acts as a counterweight for the float. As a result, the float is small and can operate in liquids with a specific gravity of 0.4 or higher. This small float permits economical installation where other types of controls would be cost prohibitive.

Direct acting (increase in liquid level increases output) or indirect acting (increase in liquid level decreases output) is selected simply by inverting (screwing in 180 degrees) the unit.

## Benefits:

- Easy to Repair.....
- No Leaks.....
- Lower Operating Costs.....
- Versatile.....
- Lower Inventory.....
- Safe.....
- Corrosion Resistant.....
- Optional Corrosion Resistant Materials.....
- High & Low Pressure Applications.....

## Features:

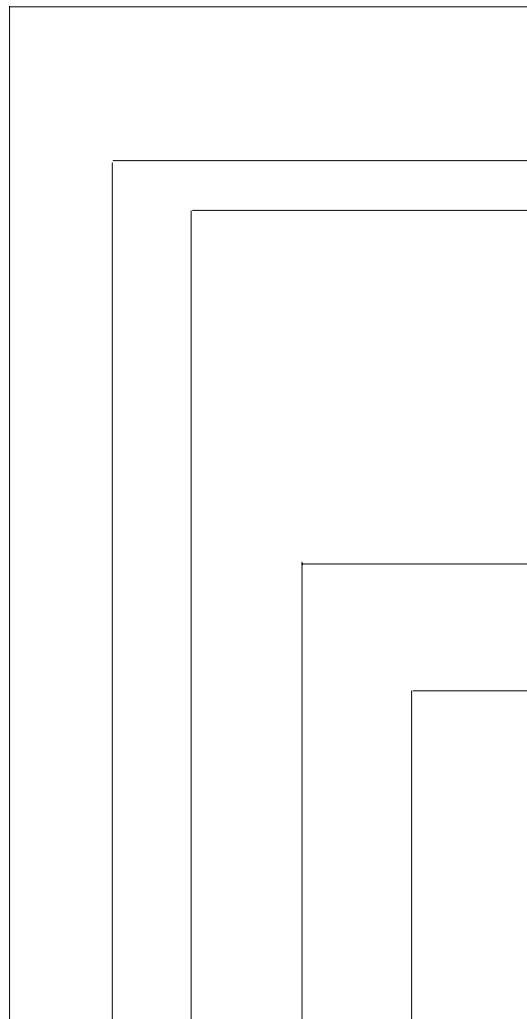
- Repairs on-site in 20 minutes
- Environmentally-isolated design eliminates the need for seals, torque tubes, diaphragms, and springs; keeps operational fluids away from supply gas
- Quick-Change replacement parts
- Direct or indirect acting by inverting the PT265 and the PT966
- Both the PT265 and PT966 can be used on either high or low level activation
- Pneumatic activation in an environmentally-isolated design
- Standard 316 Stainless Steel wetted and housing components for corrosion resistance
- Monel, Teflon Coated, Hastelloy C, and Alloy 20
- Available with Stainless Steel and Polypropylene displacer options for various process pressures

# LEVEL CONTROL SWITCHES

## LINC - PT 265 & PT 966 SERIES

<b>Specifications: PT265, PT265SC &amp; PT966 Series Pneumatic Level Control Switches</b>	
<b>Output:</b>	Throttling 3-15 psi
<b>Pressure:</b>	Working: 1,500 psi, available to 5,000 psi Supply: 20 psi minimum, 30 psi maximum;
<b>Temperature:</b>	-40°F to + 450°F
<b>Specific Gravity:</b>	0.4 minimum
<b>Materials:</b>	316 stainless steel wetted parts. Available in other austenitic metals
<b>Connections:</b>	Process: 2" NPT standard, available 3" flanged or larger, and externally caged Supply: 1/8" NPT Output: 1/8" NPT

### Ordering Chart:



**Series:**

- PT265 - Pneumatic level control
- PT265SC - Externally caged pneumatic level control, ring bolted 1,500 psiWP standard; 3,000 psi WP available
- PT966 - Pneumatic level control

**Body Style:**

- 0 - Standard 2" NPT (ring bolt on PT265SC)

**Type:**

- 1 - Standard
- 2 - High pressure, 5,000 psi polypropylene displacer, (3000 psi WP rated maximum on the PT265SC), temp. +180°F max, specific gravity. 0.6 min.
- 3 - Interface, 5,000 psi polypropylene displacer, (3000 psi WP rated maximum on the PT265SC), temp. +180°F max, upper fluid less than: .870 specific gravity; lower fluid more than: .970 specific gravity
- 4 - Other gravities for interface, specify gravities of fluids (upper & lower)

**Other<sup>1</sup>:**

- 02 - Annulus plug (PT265 & PT265SC only)
- 05 - This number means special; specify your requirements. i.e. 3" flanged 150# RF

**Option Number:**

- ( ) - Factory will assign an option number based on specified requirements.

<sup>1</sup> If no further requirements are desired, omit "Other" option codes from the part number Example: PT265-02

LINC- - - ( )

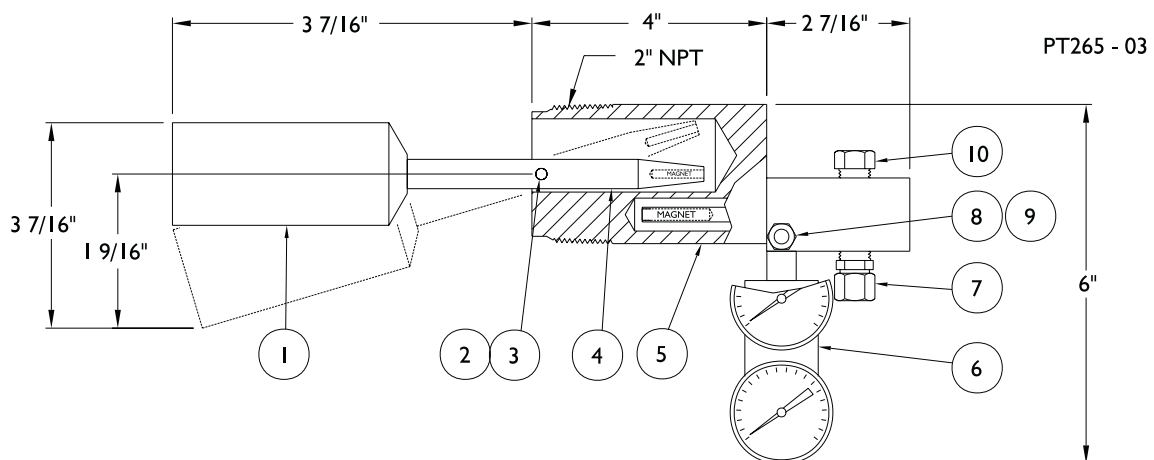
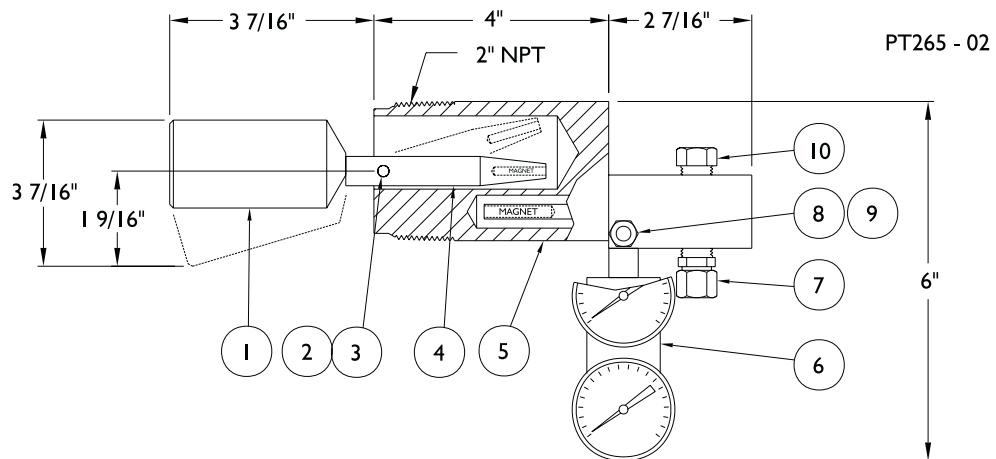
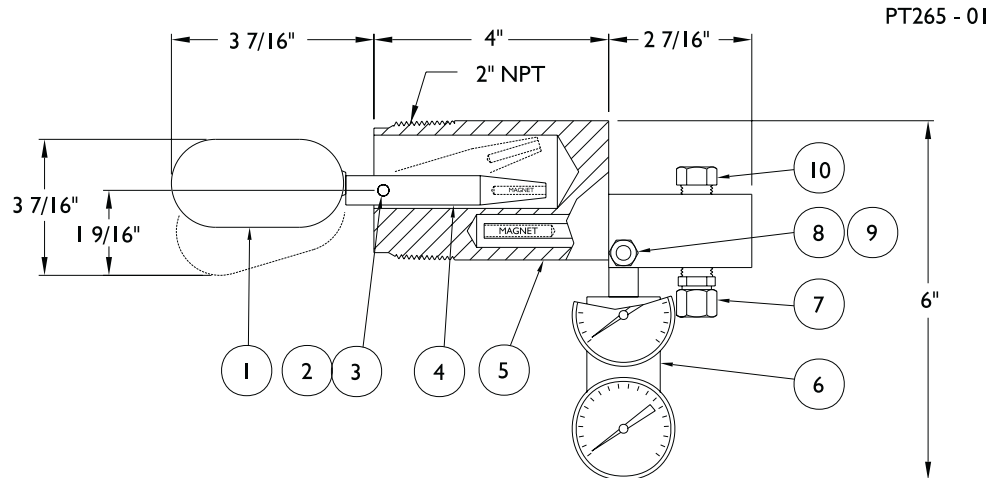
**Example: LINC-PT265-04-05 pneumatic level control**

Specify: 4" 150"RF, SS flange, upper fluid .95 specific gravity, lower fluid 1.1 specific gravity

# LEVEL CONTROL SWITCHES

L I N C - P T 2 6 5 & P T 9 6 6 S E R I E S

The LINC-PT265 Series:  
Standard Units, Diagram

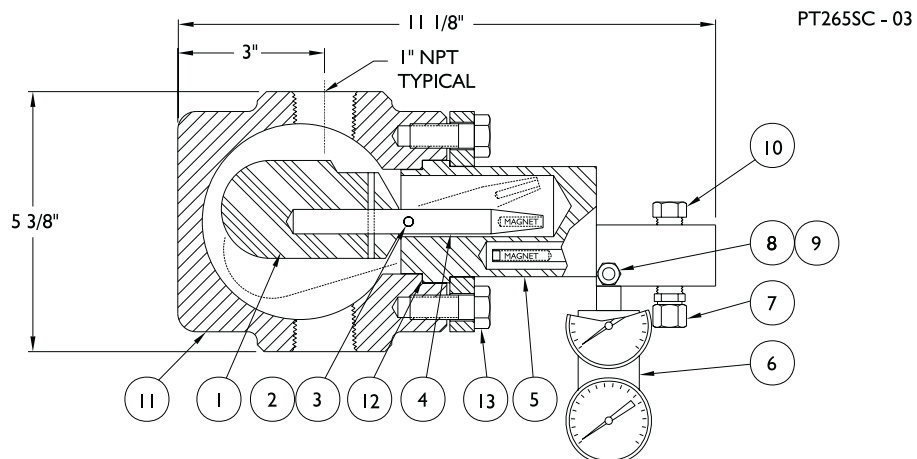
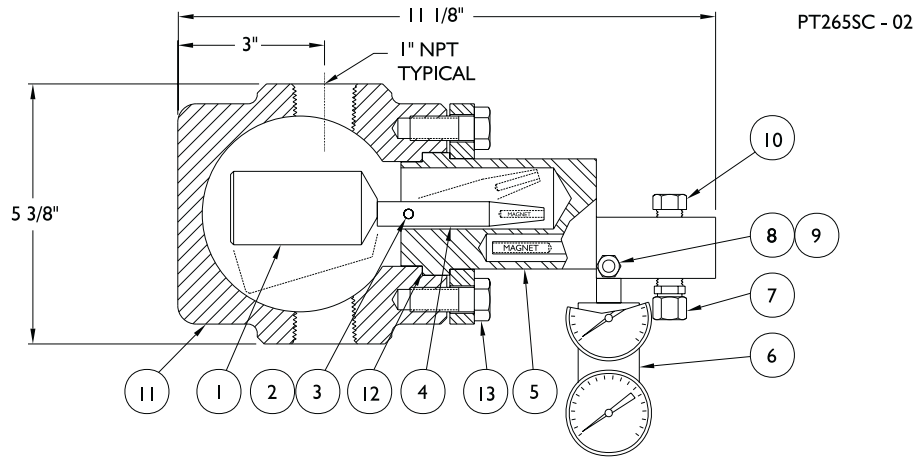
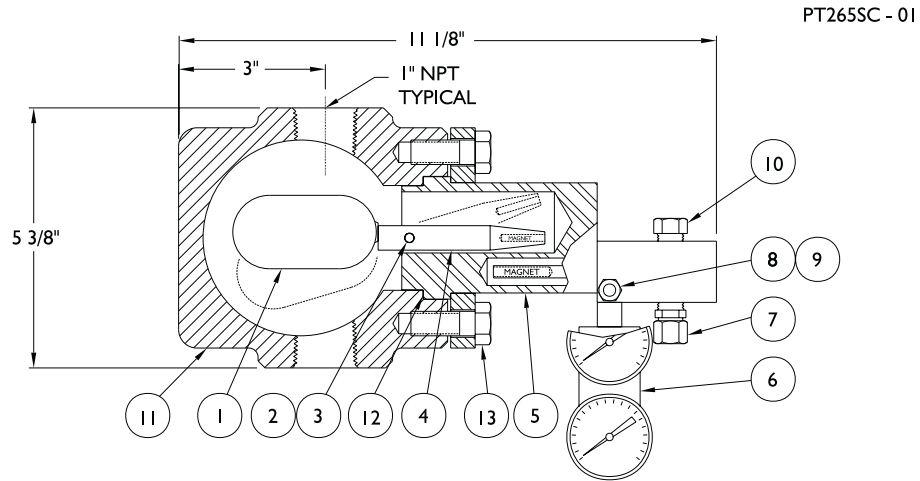




# LEVEL CONTROL SWITCHES

## LINC - PT 265 & PT 966 SERIES

The LINC-PT265SC Series:  
Standard Caged Units, Diagram



# LEVEL CONTROL SWITCHES

## LINC - PT 265 & PT 966 SERIES

### The LINC-PT265 & PT 265SC Series: Parts List

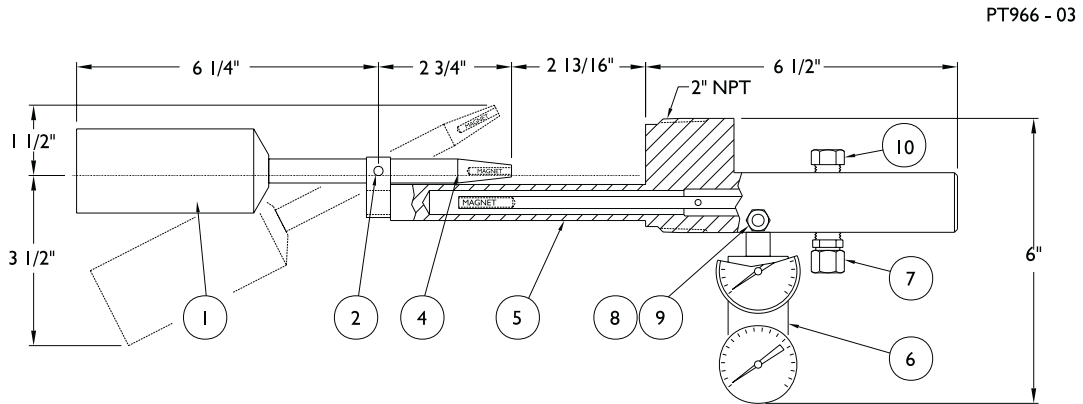
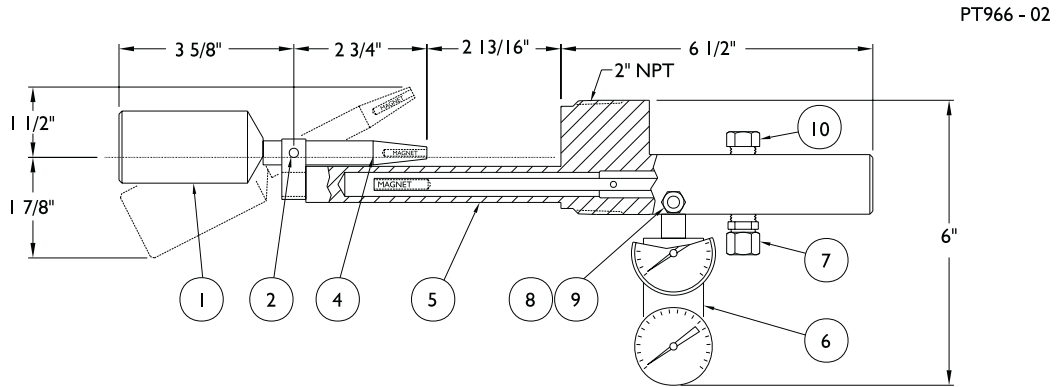
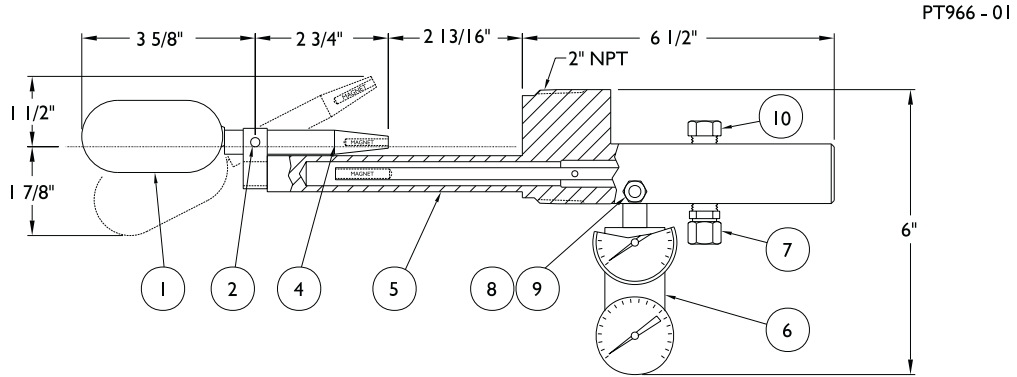
Model	PT265-01	PT265-02	PT265-03			
Item	Part #	Part #	Part #	Description	Material	Qty
1	10245			Float/Displacer	316 ss	1
		20892	20898	Float/Displacer	Polypropylene	1
2	20334	20334	20334	Pin	316 ss	1
3	20335	20335	20335	Spacer	316 ss	2
4	20852	20852	21128	Float Arm	316 ss	1
5	30140	30140	30140	Body	316 ss	1
6	20508	20508	20508	Pilot Assembly	303 ss	1
7	20506	20506	20506	Vent Assembly	Brass	1
8	10169	10169	10169	Jam Nut	18-8 ss	2
9	10198	10198	10198	Set Screw	18-8 ss	2
10	10242	10242	10242	Pipe Plug	Brass	1
15	10004	10004	10004	Nameplate (not shown)	302 ss	1
16	10324	10324	10324	Drive Screw (not shown)	18-8 ss	2

Model	PT265SC-01	PT265SC-02	PT265SC-03			
Item	Part #	Part #	Part #	Description	Material	Qty
1	10245			Float/Displacer	316 ss	1
		20892	30296	Float/Displacer	Polypropylene	1
2	20334	20334	20334	Pin	316 ss	1
3	20335	20335	20335	Spacer	316 ss	2
4	20852	20852	21907	Float Arm	316 ss	1
5	30275	30275	30275	Body	316 ss	1
6	20508	20508	20508	Pilot Assembly	303 ss	1
7	20506	20506	20506	Vent Assembly	Brass	1
8	10169	10169	10169	Jam Nut	18-8 ss	2
9	10198	10198	10198	Set Screw	18-8 ss	2
10	10242	10242	10242	Pipe Plug	Brass	1
11	40256	40256	40256	Cage	Steel	1
12	11257	11257	11257	Gasket	PTFE	1
13	11216	11216	11216	Cap Screw	Plated, B7	6
14			10663	Float Pin	15-7PH ss	1
15	10005	10005	10005	Nameplate (not shown)	302 ss	1
16	10324	10324	10324	Drive Screw (not shown)	18-8 ss	2

# LEVEL CONTROL SWITCHES

## LINC - PT 2 6 5 & PT 9 6 6 SERIES

The LINC-PT966 Series:  
Standard Units, Diagram



# LEVEL CONTROL SWITCHES

## LINC - PT 2 6 5 & PT 9 6 6 SERIES

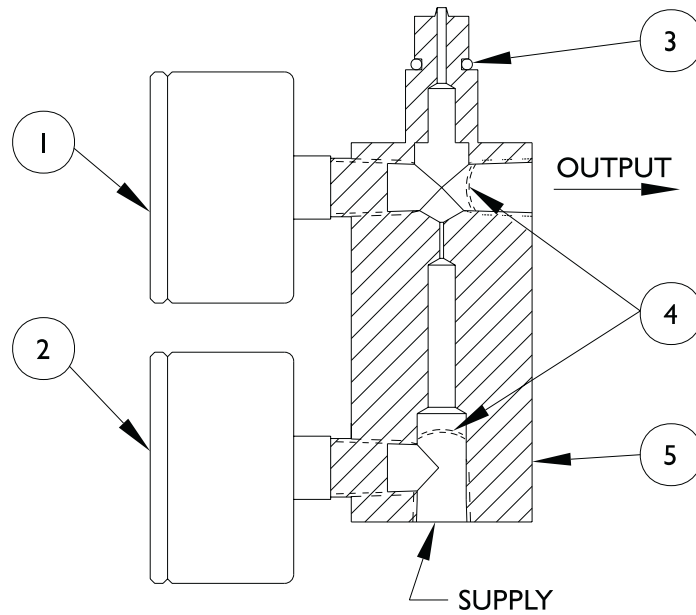
**The LINC-PT966 Series:  
Standard Units, Parts List**

<b>Model</b>	<b>PT966-01</b>	<b>PT966-02</b>	<b>PT966-03</b>			
<b>Item</b>	<b>Part #</b>	<b>Part #</b>	<b>Part #</b>	<b>Description</b>	<b>Material</b>	<b>Qty</b>
1	10245			Float/Displacer	316 ss	1
		20892	20898	Float/Displacer	Polypropylene	1
2	20559	20559	20559	Pin	316 ss	1
3				Not Used		
4	20852	20852	21128	Float Arm	316 ss	1
5	30804	30804	30804	Body	316 ss	1
6	20508	20508	20508	Pilot Assembly	303 ss	1
7	20506	20506	20506	Vent Assembly	Brass	1
8	10169	10169	10169	Jam Nut	18-8 ss	2
9	10198	10198	10198	Set Screw	18-8 ss	2
10	10242	10242	10242	Pipe Plug	Brass	1
11	10003	10003	10003	Nameplate (not shown)	302 ss	1
12	10324	10324	10324	Drive Screw (not shown)	18-8 ss	2

# LEVEL CONTROL SWITCHES

## LINC - PT 265 & PT 966 SERIES

The LINC-PT265, PT265SC, PT966 Series Pilot:  
Diagram & Parts List



Model	20508	Pilot Assembly		
Item	Part #	Description	Material	Qty
1	10253	Output Gauge (0-30 psi)	Brass / Steel	1
2	10252	Supply Gauge (0-30 psi)	Brass / Steel	1
3	10106	O-Ring	Fluorocarbon	1
4	10243	Filter	18-8 ss	2
5	20507	Pilot Body	303 ss	1

# LEVEL CONTROL SWITCHES

L I N C - 1 0 2 S E R I E S

## The LINC-102 Series: Pneumatic, Non-Bleed Level Control Switch



### Application:

These are used as a level control or as a high or low level alarm. The pneumatic output can be used to throttle valves, sound alarms or perform any desired pneumatic function. Any liquid or liquid interface can be monitored.

### Operation:

A spring acts as a counterbalance on the displacer. It is externally adjustable for various specific gravities. As the liquid rises, the displacer and arm assembly is raised, rotating the trunnion. This action turns the pilot lever containing an adjustment screw. This screw operates the pilot to give the output signal. Output is non-bleed and is either throttling or snap-acting. All adjustments are factory set and are field adjustable.

### Benefits:

- Large Pass-Through Volume.....
- Field Adjustable.....
- Lower Operating Costs.....
- Reliable.....
- Easy Pressure Verification.....
- Versatile.....
- High & Low Pressure Applications.....
- High Temperature Applications.....

### Features:

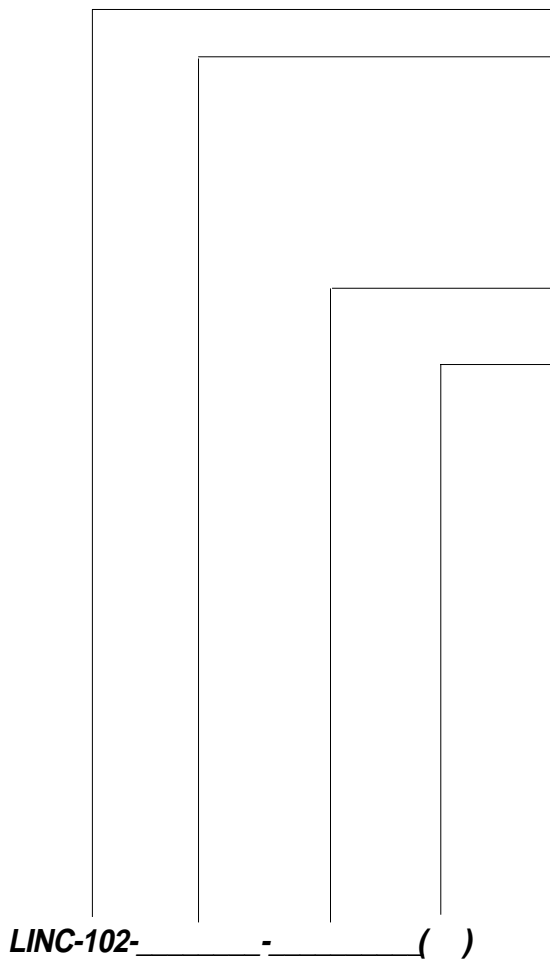
- Large orifice size permits higher pass through volumes for activating large control valves
- For various specific gravities and output points
- Optional Non-Bleed output saves gas
- Self-Lubricating packing increases product life
- Pressure gauges on both the supply and output ports
- Available with Snap or Throttling action, and a horizontal or vertical displacer
- PVC displacer, and other optional displacers, work in both high and low process pressures
- TFE or Stainless Steel displacers work in high temperature processes

# LEVEL CONTROL SWITCHES

L I N C - 1 0 2 S E R I E S

<b>Specifications: LINC-102 Series Pneumatic, Non-Bleed Level Control Switch</b>	
<b>Output:</b>	Throttling or snap-acting
<b>Pressure:</b>	Working: 5,000 psi
	Supply: 30 psi to 75 psi
	Output: 0 to full supply, throttling or snap-acting
<b>Temperature:</b>	-20°F to + 180°F standard; available to +450°F
<b>Specific Gravity:</b>	0.4 minimum
<b>Materials:</b>	Body, steel, optional 316 ss body and/or pilot : Displacer, PVC (other materials for higher temperatures)
<b>Connections:</b>	Process: 2" NPT standard, available 1" & 1 1/2" NPT, flanged, grooved or externally caged
	Supply: 1/4" NPT
	Output: 1/4" NPT
<b>Displacer:</b>	Vertical or horizontal orientation

## Ordering Chart:



### Series:

102 - Pneumatic level control

### Type:

- 01 - Standard (180°F), horizontal, throttling
- 02 - Standard (180°F), horizontal, snap-acting
- 03 - Standard (180°F), vertical, throttling
- 04 - Standard (180°F), vertical, snap-acting
- 06 - Standard (450°F), horizontal, throttling
- 07 - Standard (450°F), horizontal, snap-acting
- 08 - Standard (450°F), vertical, throttling
- 09 - Standard (450°F), vertical, snap-acting

### Other<sup>1</sup>:

05 - This number means special; specify your requirements. i.e. 3" flanged 150# RF

### Option Number:

( ) - Factory will assign an option number based on specified requirements.

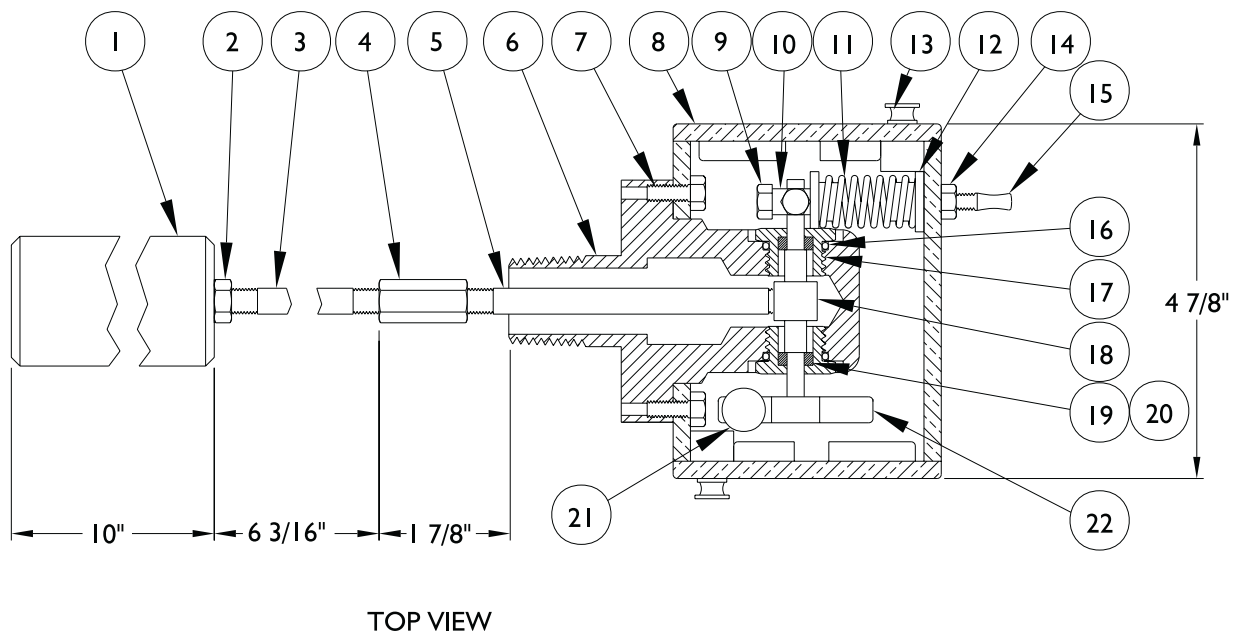
<sup>1</sup> If no further requirements are desired, omit "Other" option codes from the part number.  
Example: 102-01

**Example: LINC-102-01-05 pneumatic level control**  
Specify: 2" 150#RF, CS flange

# LEVEL CONTROL SWITCHES

L I N C - 1 0 2 S E R I E S

The LINC-102 Pneumatic Series:  
Standard Units, Diagram



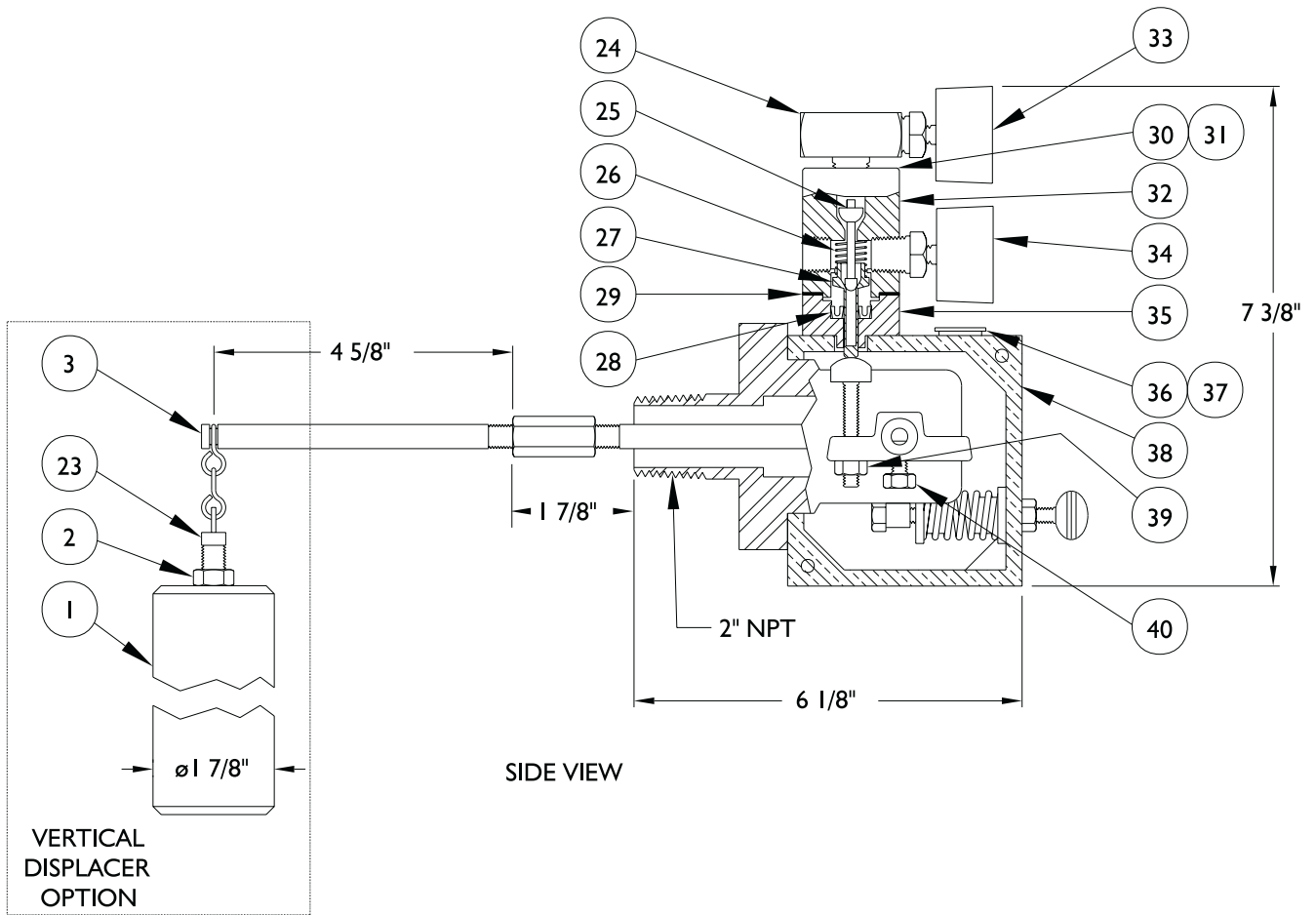
TOP VIEW



# LEVEL CONTROL SWITCHES

L I N C - 1 0 2 S E R I E S

The LINC-102 Pneumatic Series:  
Standard Units, Diagram



# LEVEL CONTROL SWITCHES

## L I N C - 1 0 2 S E R I E S

### The LINC-102 Pneumatic Series: Parts List

Model	102-01	102-02	102-03	102-04			
Item	Part #	Part #	Part #	Part #	Description	Material	Qty
1	20720	20720	20720	20720	Displacer	PVC	1
2	10176	10176	10176	10176	Hex Nut	ss	1
3	20646	20646	20645	20645	Arm Extension	303 ss	1
4	20555	20555	20555	20555	Arm Connector	304 ss	1
5	20644	20644	20644	20644	Arm	303 ss	1
6	30024	30024	30024	30024	Body	Carbon Steel	1
7	10197	10197	10197	10197	Cap Screw	ss	2
8	20665	20665	20665	20665	Box Cover	Aluminum	2
9	10202	10202	10202	10202	Cap Screw	ss	1
10	20662	20662	20662	20662	Spring Lever	Bronze	1
11	10059	10059	10065	10065	Spring	316 ss	1
12	20664	20664	20664	20664	Spring Retainer	Brass	2
13	10218	10218	10218	10218	Cover Retainer	Brass	4
14	10169	10169	10169	10169	Jam Nut	ss	1
15	10199	10199	10199	10199	Spring Adjustment Screw	Plated Steel	1
16	10126	10126	10126	10126	O-Ring	Nitrile	2
17	20659	20659	20659	20659	Bushing	303 ss	2
18	20660	20660	20660	20660	Trunnion	303 ss	1
19	10155	10155	10155	10155	Packing	Molythane™	2
20	20396	20396	20396	20396	Pilot Adjustment Screw	303 ss	1
21	20661	20661	20661	20661	Pilot Lever	Bronze	1
23			20414	20414	Chain & Connector Assembly	ss	1
24	10221	10221	10221	10221	Male Branch Tee	Brass	1
25	20649	20650	20649	20650	Plug	303 ss	1
26	10056	10056	10056	10056	Spring	316 ss	1
27	20229	20229	20229	20229	Lower Seat	303 ss	1
28	10152	10152	10152	10152	U-Cup Seal	Nitrile	1
29	10092	10092	10092	10092	Gasket	Paper	1
30	10194	10194	10194	10194	Machine Screw	ss	2
31	10519	10519	10519	10519	Machine Screw	ss	2
32	20354	20354	20354	20354	Upper Housing	Aluminum	1
33	10252	10252	10252	10252	Supply Gauge (0-30 psi)	Brass	1
34	10253	10253	10253	10253	Output Gauge (0-30 psi)	Brass	1
35	20243	20243	20243	20243	Lower Housing	Aluminum	1
36	20663	20663	20663	20663	Cover Plate	Aluminum	1
37	10361	10361	10361	10361	Machine Screw (not shown)	ss	2
38	30098	30098	30098	30098	Box	Aluminum	1
39	10571	10571	10571	10571	Hex Nut	ss	1
40	10201	10201	10201	10201	Cap Screw	ss	2
41	10016	10016	10016	10016	Nameplate (not shown)	ss	1
42	10324	10324	10324	10324	Drive Screw (not shown)	ss	2

**Note:** The complete Throttling Pilot Assembly part #21276 or complete Snap Pilot Assembly Part #21277 includes items 24 through 35 above.

™ Molythane is a registered Trademark of Parker Seal Group, Inc., Packing Division

# LEVEL CONTROL SWITCHES

## L I N C - 1 0 2 S E R I E S

### The LINC-102 Pneumatic Series: Parts List

Model	102-06	102-07	102-08	102-09			
Item	Part #	Part #	Part #	Part #	Description	Material	Qty
1	20721	20721	20721	20721	Displacer	TFE	1
2	10176	10176	10176	10176	Hex Nut	ss	1
3	20646	20646	20645	20645	Arm Extension	303 ss	1
4	20555	20555	20555	20555	Arm Connector	304 ss	1
5	20644	20644	20644	20644	Arm	303 ss	1
6	30024	30024	30024	30024	Body	Carbon Steel	1
7	10197	10197	10197	10197	Cap Screw	ss	2
8	20665	20665	20665	20665	Box Cover	Aluminum	2
9	10202	10202	10202	10202	Cap Screw	ss	1
10	20662	20662	20662	20662	Spring Lever	Bronze	1
11	10059	10059	10065	10065	Spring	316 ss	1
12	20664	20664	20664	20664	Spring Retainer	Brass	2
13	10218	10218	10218	10218	Cover Retainer	Brass	4
14	10169	10169	10169	10169	Jam Nut	ss	1
15	10199	10199	10199	10199	Spring Adjustment Screw	Plated Steel	1
16	10127	10127	10127	10127	O-Ring	Fluorocarbon	2
17	20658	20658	20658	20658	Bushing	303 ss	2
18	20660	20660	20660	20660	Trunnion	303 ss	1
19	10108	10108	10108	10108	O-Ring	Fluorocarbon	2
20	10109	10109	10109	10109	Backup Ring	TFE	4
21	20396	20396	20396	20396	Pilot Adjustment Screw	303 ss	1
22	20661	20661	20661	20661	Pilot Lever	Bronze	1
23			20414	20414	Chain & Connector Assembly	ss	1
24	10221	10221	10221	10221	Male Branch Tee	Brass	1
25	20649	20650	20649	20650	Pilot Plug	303 ss	1
26	10056	10056	10056	10056	Spring	316 ss	1
27	20229	20229	20229	20229	Lower Seat	303 ss	1
28	10152	10152	10152	10152	U-Cup Seal	Nitrile	1
29	10092	10092	10092	10092	Gasket	Paper	1
30	10194	10194	10194	10194	Machine Screw	ss	2
31	10519	10519	10519	10519	Machine Screw	ss	2
32	20354	20354	20354	20354	Upper Housing	Aluminum	1
33	10252	10252	10252	10252	Supply Gauge (0-30 psi)	Brass	1
34	10253	10253	10253	10253	Output Gauge (0-30 psi)	Brass	1
35	20243	20243	20243	20243	Lower Housing	Aluminum	1
36	20663	20663	20663	20663	Cover Plate	Aluminum	1
37	10361	10361	10361	10361	Machine Screw (not shown)	ss	2
38	30098	30098	30098	30098	Box	Aluminum	1
39	10571	10571	10571	10571	Hex Nut	ss	1
40	10201	10201	10201	10201	Cap Screw	ss	2
41	10016	10016	10016	10016	Nameplate (not shown)	ss	1
42	10324	10324	10324	10324	Drive Screw (not shown)	ss	2

**Note:** The complete Throttling Pilot Assembly part #21276 or complete Snap Pilot Assembly Part #21277 includes items 24 through 35 above.

# LEVEL CONTROL SWITCHES

## LINC - 700 & 35 SERIES

### The LINC-700 Series: External Cage



External Cage, with optional Bull's-eye sight glass

#### Application:

These cages are used with the LINC-L471 electric, LINC-PT265 and LINC-282 Series pneumatic level controls. Available with or without the LINC 35-Series sight glass. The process connection is a standard 1" NPT. Available in other sizes and options.

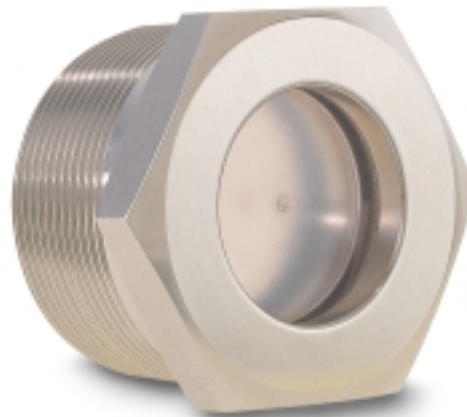
#### Benefits:

- Visual Verification.....
- Lower Operating Costs.....
- Durable.....
- Optional Corrosion Resistant Materials.....

#### Features:

- Of level and control operation with Optional bull's-eye sight glass
- Optional External Cage allows field servicing without tank drain-down
- Standard cast Ductile in the 1" & 1 1/2" NPT cage body, and cast Steel in the Ring Bolted cage body
- 316 Stainless Steel, consult factory for other optional materials

### The LINC-35 Series: Sight Glass



#### Application:

The 35 Series is a bull's-eye sight glass with either a 1 1/2" NPT or 2" NPT. These can be used at the same level as the pneumatic or electrical level controls to show visual liquid level over a small range. They can also be used in conjunction with the external cages to provide visual indication on level controls or safety systems.

#### Benefits:

- Visual Verification.....
- High Temperature Option.....
- Durable.....
- Optional Corrosion Resistant Materials.....

#### Features:

- Of level and control operation
- Available with a Pyrex™ glass lens
- Standard 303 Stainless Steel
- 316 Stainless Steel, consult factory for other optional materials

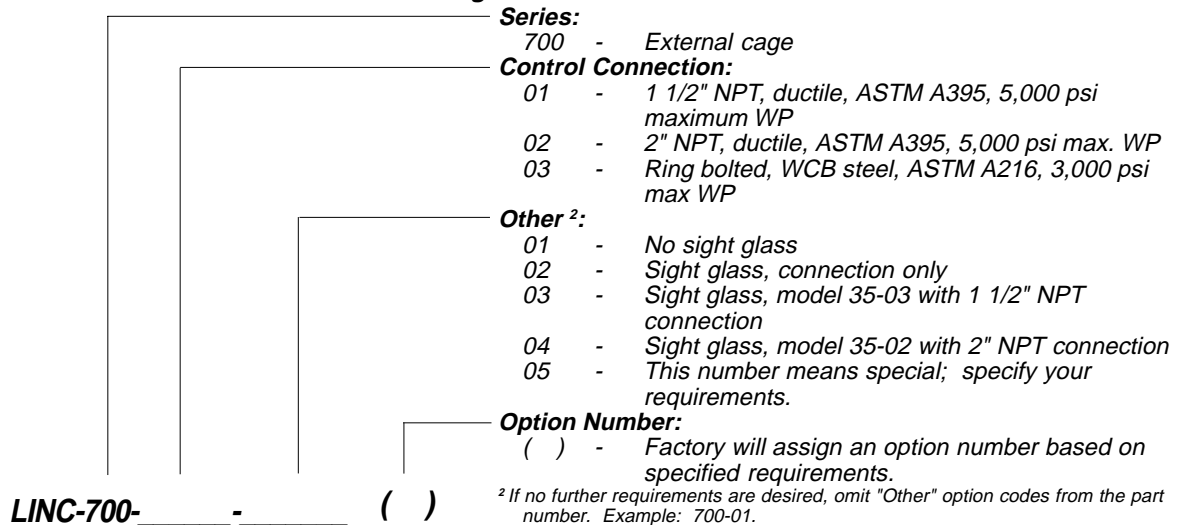
™ Pyrex is a registered Trademark of Corning, Incorporated

# LEVEL CONTROL SWITCHES

## L I N C - 7 0 0 & 3 5 S E R I E S

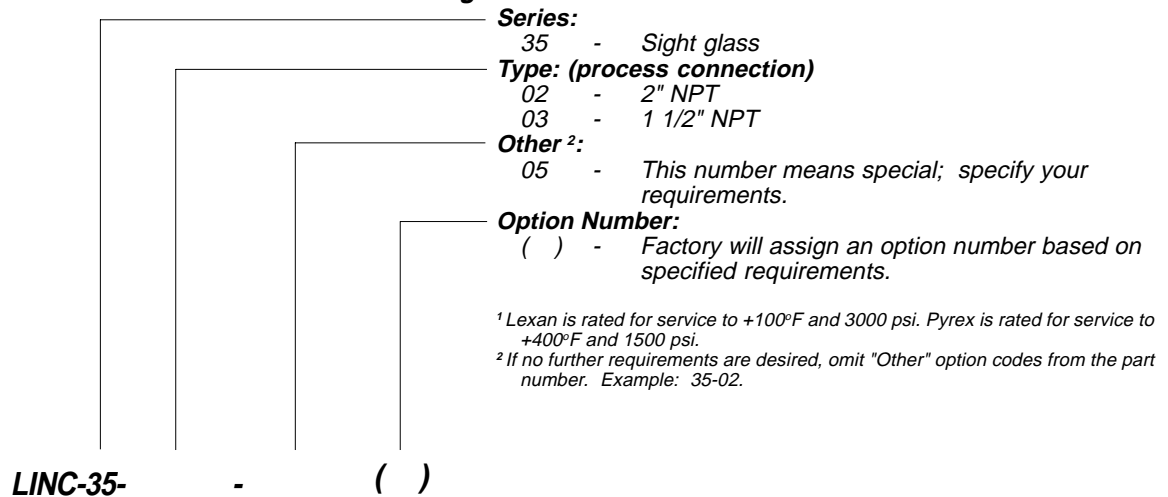
Specifications: 700 Series External Cages & 35 Series Sight Glasses		
Series:	700 Series	35 Series
Working Pressure:	3,000 psi at +100°F	3,000 psi at +100°F
Temperature:	-40°F to + 450°F; sight glass option +180°F std., other avail.	-40°F to + 180°F std., with higher temps available <sup>1</sup>
Materials:	Ductile or cast steel std., available in 316 ss and other materials	Body: 303 ss; Lens: Lexan std., Pyrex available <sup>1</sup>
<b>Connections:</b>		
Process:	1" NPT std., other options	1 1/2" or 2" NPT
Level Control:	1 1/2" and 2" NPT or ring bolted	N/A

### Ordering Chart:



**Example: LINC-700-01-03 external cage w/model 35-03 sight glass**

### Ordering Chart:



**Example: LINC-35-02-05 sight glass**

Specify: 316 SS body, Pyrex lens for high temps

# LEVEL CONTROL SWITCHES

## LINC - NF265 & NF282 SERIES

### The LINC-NF265 & NF282 Series: Electric or Pneumatic Flow Indicators



#### Application:

These flow indicators are used to monitor flow/no flow. The electric or pneumatic output is used to alarm, operate valves, control pumps or perform any desired electrical or pneumatic function.

#### Operation:

A flowing fluid moves the paddle activating an electric switch or pneumatic output.

#### Benefits:

- Easy to Repair.....
- No Leaks.....
- Lower Operating Costs.....
- Lower Inventory.....
- Safe.....

#### Features:

- Repairs on-site in 20 minutes with the Quick-Change cartridge
- Environmentally-isolated design keeps operational fluids away from electrical circuitry and supply gas
- Quick-Change, inexpensive replacement parts
- Non-Bleed output saves gas
- Pneumatic NF282 provides direct or indirect acting by changing the supply and exhaust ports
- Bi-directional flow through rotating the Electric NF265
- Pneumatic activation in an environmentally-isolated design
- NF265 certified as explosion-proof<sup>1</sup> for Hazardous Locations: Class I, Div. 1, Groups A, B, C, D; Class II, Div. 1, Groups E, F, G; and Class III, Div.1, by CSA a Nationally Recognized Testing Laboratory in the U.S. and Canada
- Sealed switch cartridge prevents dust, fluids, and corrosion from interfering with electrical circuitry
- Standard 316 Stainless Steel wetted and housing components for corrosion resistance
- Monel, Kynar, Teflon, Teflon Coated, Hastelloy C, PVC, Polypropylene, and Alloy 20

- Reliable.....
- Corrosion Resistant.....
- Optional Corrosion Resistant Materials.....

# LEVEL CONTROL SWITCHES

## LINC - NF265 & NF282 SERIES

### Specifications: LINC-NF265 Electric & LINC-NF282 Pneumatic Series Flow Indicators

#### Output:

NF265 Electric: SPST (SPDT optional), 100 V.A. AC, 100W DC, 3 amp inrush capability, maximum 250 Volts, Hermetically sealed

NF282 Pneumatic: 0 to full supply pressure

**Working Pressure:** 5,000 psi

**Temperature:** -40°F to + 400°F standard, with 500°F optional for NF265 model only

**Materials:** 316 stainless steel is standard, available in other austenitic metals or plastic

#### Connections (process):

NF265 Electric: 1 1/2" or 2" NPT standard, flanged available

NF282 Pneumatic: 2" NPT standard, 1 1/2 NPT or flanged available

**Paddle Length:** 1 1/2" standard (for 2" line), available to your specification

**Flow Indication:** Less than .75 ft/sec indicates no flow; more than 1.0 ft/sec indicates flow

#### CSA Certification, NF265 only:

Listed as explosion-proof for Class I, Div. 1, Groups A, B, C, D; Class II, Div. 1, Groups E, F, G; and Class III, Div. 1<sup>1</sup>

### Ordering Chart:

#### Series:

- NF265 - Electric flow indicator
- NF282 - Pneumatic flow indicator

#### Body Style:

- 1 - Standard, 1 1/2" NPT (NF265 only)
- 2 - Standard, 2" NPT

#### Type (NF265 only):

- 1 - Standard, all 316 ss wetted parts
- 3 - Relay assembly<sup>1</sup>, general purpose plug-in, 24VDC DPDT 10 Amp
- 4 - Relay assembly<sup>1</sup>, general purpose plug-in, 120VAC DPDT 10 Amp
- 8 - Relay assembly<sup>1</sup>, hermetically sealed plug-in, 24VDC DPDT 10 Amp
- 9 - Relay assembly<sup>1</sup>, hermetically sealed plug-in, 120VAC DPDT 10 Amp

#### Type, Supply Pressure (NF282 only):

- 3 - 30 PSI maximum, flow rate 40 scfh at 30 PSI
- 6 - 60 PSI maximum, flow rate 25 scfh at 30 PSI
- 8 - 100 PSI maximum, flow rate 15 scfh at 30 PSI

#### Other<sup>2</sup>:

- 01 - Standard paddle (1 1/2" in length)
- 02 - Annulus plug
- 05 - Options: additional paddle length, specify your requirements. i.e. 3" flanged 150# RF

#### Option Number:

- ( ) - Factory will assign an option number based on specified requirements.

<sup>1</sup> When a relay assembly is used, Class I, Div. 1, is limited to Groups C, and D.

<sup>2</sup> If no further requirements are desired, omit "Other" option codes from the part number.

LINC- \_\_\_\_\_ - \_\_\_\_\_ - \_\_\_\_\_ ( )

**Example: LINC-NF265-11-05 electric flow indicator**

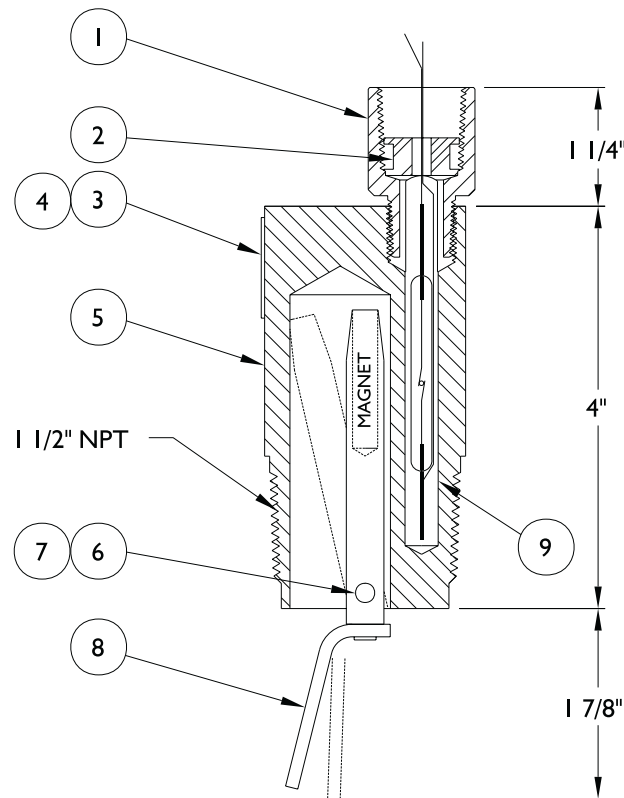
Specify: 3", 150"RF, CS flange, paddle for 3" pipe, 9" from face of flange to CL of pipe run.

# LEVEL CONTROL SWITCHES

## LINC - NF 265 & NF 282 SERIES

### LINC-NF265 Series: Standard Units, Diagram & Parts List

NF265 - 11



Model	NF265-11	Electric Flow Switch		
Item	Part #	Description	Material	Qty
1	20119	Conduit Adapter	303 ss	1
2	10087	Grommet	Nitrile	1
3	10001	Nameplate	316 ss	1
4	10324	Drive Screw	18-8 ss	2
5	30313	Body	316 ss	1
6	20120	Pin	316 ss	1
7	20121	Spacer	316 ss	2
8	20355	Paddle Arm	316 ss	1
9	See Chart On Page 9	Switch Cartridge	Sealed	1

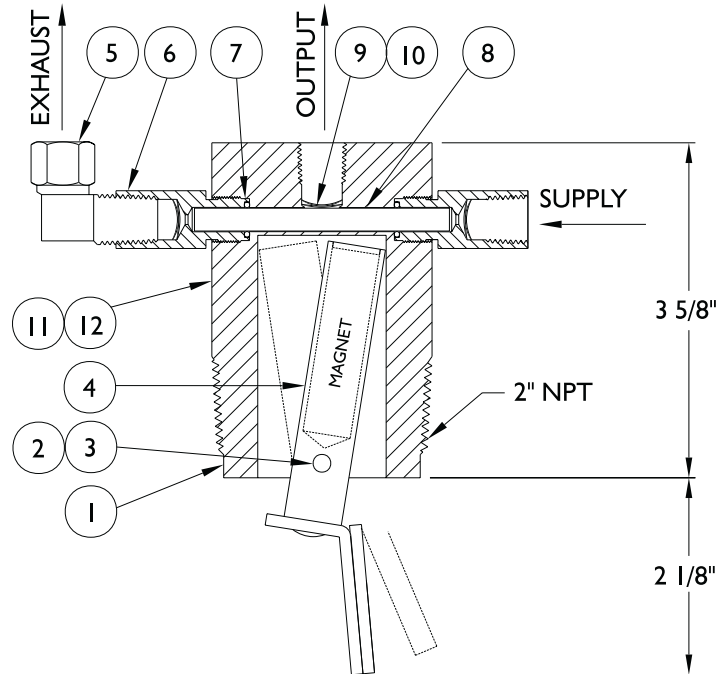


# LEVEL CONTROL SWITCHES

## LINC - NF265 & NF282 SERIES

The LINC-NF282 Series:  
Standard Units, Diagram & Parts List

NF282 -2I



Model	NF282-2X-01			
Item	Part #	Description	Material	Qty
1	30816	Body	316 ss	1
2	20334	Pin	316 ss	1
3	22066	Spacer	316 ss	2
4	30802	Paddle Arm	316 ss	1
5	20841	Vent Assembly	Brass	4
6	22451	Port Adapter	303 ss	2
7	10108	O-Ring	Fluorocarbon	2
8	22935	Switch Cartridge, 0-30 psi	316 ss	1
	22936	Switch Cartridge, 0-60 psi	316 ss	1
	22899	Switch Cartridge, 0-100 psi	316 ss	1
9	10403	Retaining Screen	18-8 ss	3
10	11006	Filter Screen	18-8 ss	3
11	10998	Nameplate	316 ss	1
12	10324	Drive Screw	18-8 ss	2

# LEVEL CONTROL SWITCHES

L I N C - F V 3 0 6 4 S E R I E S

## The LINC-FV3064 Electric Low Volume Flow Indicator



### Application:

These flow indicators are used to monitor flow/no flow and have a sensitivity as low as 1.5 oz. of water/minute. Chemical injectors, glycol pumps and other low flow applications are indicated by a switch closure. The standard model indicates flow at 0.45 GPM and no-flow at 0.30 GPM.

### Operation:

As flow enters the inlet, the slug containing a magnet is raised. This action actuates the single pole, double-throw switch in the enclosure. There is no mechanical linkage between the slug and the switch; a magnetic field does the work. When flow decreases, the slug drops and the switch moves to the opposite pole.

### Benefits:

- Easy to Repair.....
- No Leaks.....
- Reliable.....
- Lower Operating Costs.....
- Lower Inventory.....
- Excellent Low-Flow Performance.....
- Durable.....
- Optional Corrosion Resistant Materials.....
- High & Low Pressure Applications.....

### Features:

- Repairs on-site in 20 minutes with the Quick-Change switch cartridge
- Environmentally-isolated design keeps operational fluids away from electrical circuitry
- Sealed switch cartridge prevents dust, fluids, and corrosion from interfering with electrical circuitry
- Quick-Change, inexpensive replacement parts
- Mounts vertically or horizontally through rotating the installation of the FV3064
- Optional sensitivity ratings available as low as 1.5 oz./minute
- Standard cast brass construction
- 316 Stainless Steel
- Working pressures up to 1,500 psi

# LEVEL CONTROL SWITCHES

## L I N C - F V 3 0 6 4 S E R I E S

<b>Specifications: LINC-FV3064 Series Electric Low Volume Flow Indicator</b>	
<b>Working Pressure:</b>	1,500 psi
<b>Temperature:</b>	-40°F to + 400°F standard, with 500°F optional
<b>Materials:</b>	Brass or stainless steel
<b>Connections:</b>	
Process:	1" or 2" NPT or flanged
Electric:	3/8" conduit
<b>Switch Rating:</b>	SPDT 100 V.A. AC, 100W DC, 3 amp inrush capability, maximum of 250 Volts, Hermetically sealed
<b>Flow Rates:</b>	0.45 GPM indicates flow; 0.30 GPM indicates no-flow; available as low as 1.5 oz/minute

### Ordering Chart:

	<b>Series:</b>	FV3064- Electric flow indicator
	<b>Size:</b>	1 - 1"
		2 - 2"
	<b>Connection:</b>	1 - Threaded
		2 - Grooved
		3 - Flanged
	<b>Material:</b>	1 - Brass
		2 - Stainless steel
	<b>Temperature:</b>	1 - Standard
		2 - High temperature
	<b>Flow Rates:</b>	1 - Standard
		2 - Other
	<b>Other<sup>1</sup>:</b>	0 - None
		5 - Options: specify your requirements
<b>Option Number:</b>	( ) - Factory will assign an option number based on specified requirements.	

<sup>1</sup> If no further requirements are desired, omit "Other" option codes from the part number.

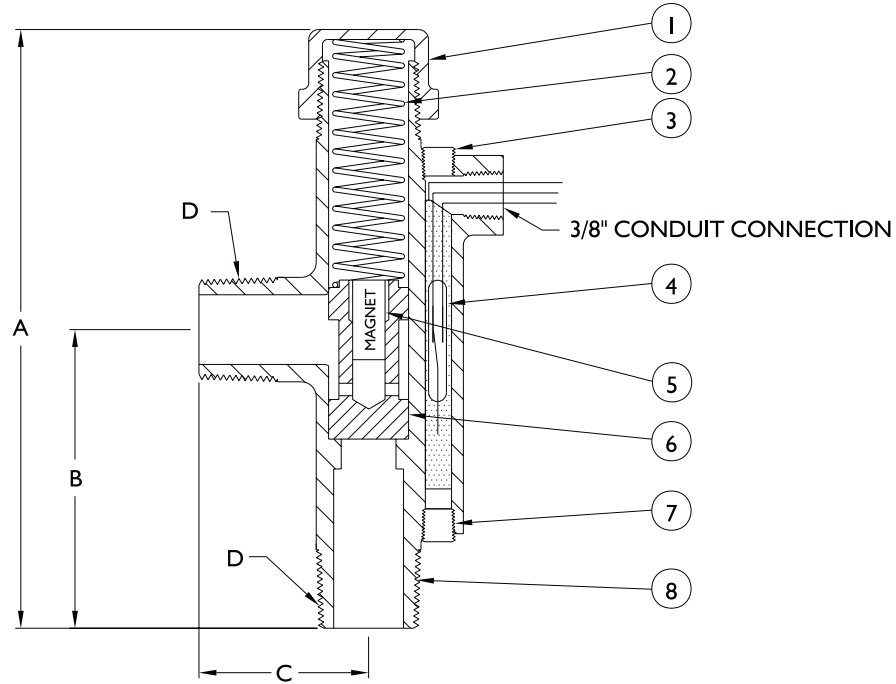
LINC-FV3064-\_\_\_\_\_-( )

**Example: LINC-FV3064-112-110 Electric Flow Indicator**

# LEVEL CONTROL SWITCHES

L I N C - F V 3 0 6 4 S E R I E S

The LINC-FV3064 Series:  
Standard Units, Diagram & Parts List



Size	FV3064-111	FV3064-112	FV3064-211	FV3064-212
A	7 1/2"	7 1/2"	8 3/8"	8 3/8"
B	3 3/4"	3 3/4"	3 11/16"	3 11/16"
C	2 1/8"	2 1/8"	2 1/2"	2 1/2"
D	1" NPT	1" NPT	2" NPT	2" NPT

Model	FV3064-111	FV3064-112	FV3064-211	FV3064-212	Description	Material	Qty
1	10248	10248	10249	10249	Cap	Brass	1
		20632		20705	Cap	316 ss	1
2	10069	10069	10070	10070	Spring	316 ss	1
3	10241	10241	10241	10241	Pipe Plug	304 ss	2
4	24836	24836	24836	24836	Switch Cartridge	Sealed	1
5	21064	21064	21082	21082	Slug	Brass	1
		20385		20704	Slug	316 ss	1
6	10400	10400	10402	10402	Magnet		1
7	10217	10217	10217	10217	Set Screw	18-8 ss	1
8	40064	40064	30058	30058	Body	Brass	1
		30105		30337	Body	316 ss	1









3101 Pollok Drive

Conroe, Texas 77303

800.455.LINC

P: 936.788.5593

F: 936.788.5720

Em: [Sales@yzhq.com](mailto:Sales@yzhq.com)

Web: [www.yzsystems.com](http://www.yzsystems.com)